



Halogen Floodlight with Motion Sensor

FPP SL150CPIR

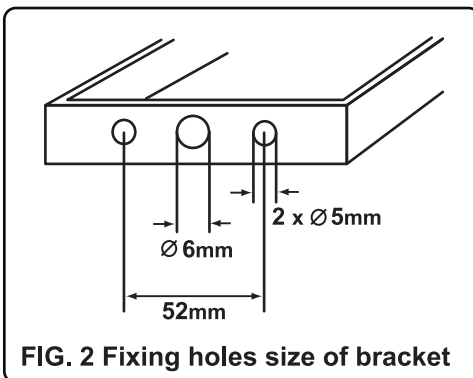
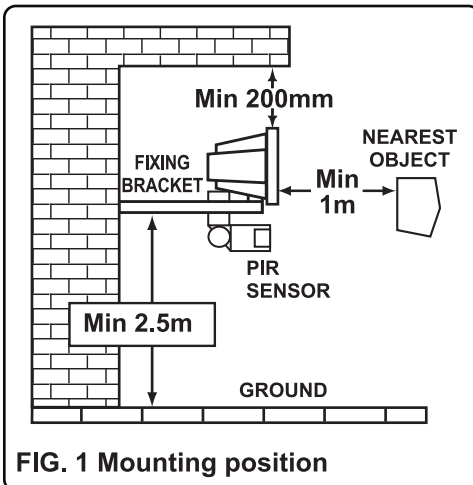
INSTRUCTION MANUAL

WARNING: ENSURE ELECTRICITY IS SWITCHED OFF AT THE MAINS BEFORE INSTALLATION, REPLACEMENT OF BULB OR SERVICING

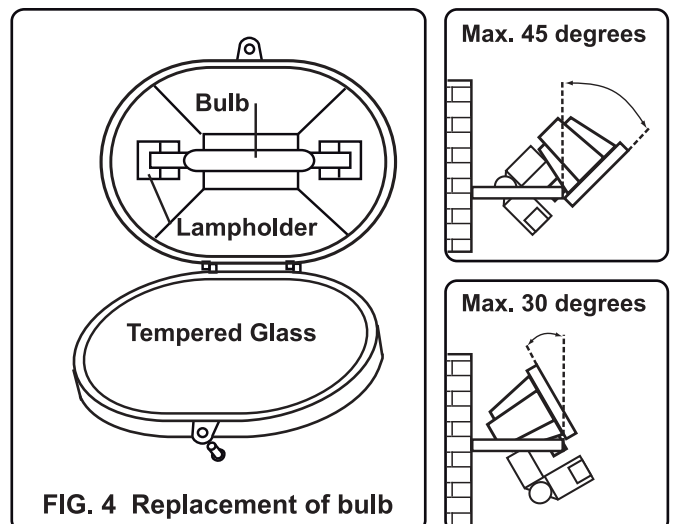
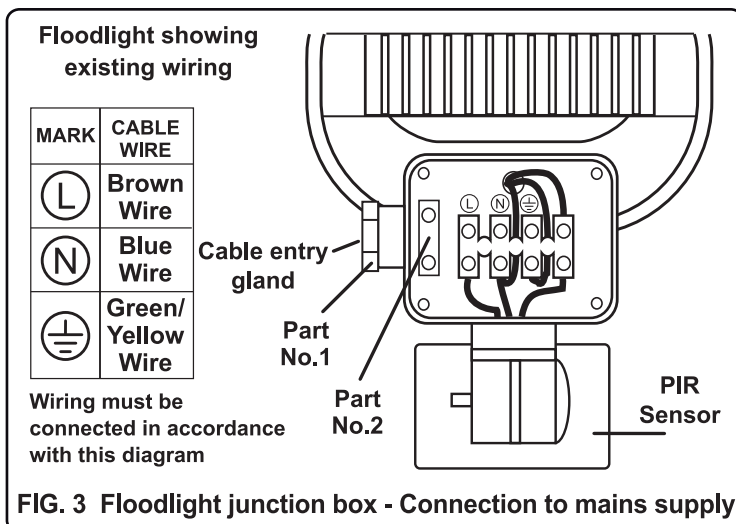
PLEASE READ THROUGH ALL FOLLOWING INSTRUCTIONS BEFORE ATTEMPTING TO INSTALL THE UNIT. IF IN ANY DOUBT ABOUT CORRECT INSTALLATION, PLEASE CONSULT A QUALIFIED ELECTRICIAN.

IMPORTANT: This product has been designed and manufactured to automatically control floodlight of an outdoor area once the integral infa-red detector has sensed a human presence. This is not intended for any other application or use.

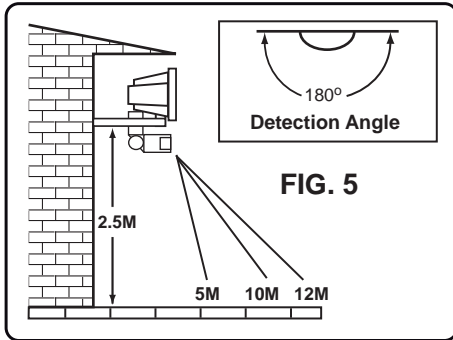
1) Installation and Standard Wiring Instructions



1. Do not mount on a surface prone to vibrations.
2. Mounting position: The floodlight should ideally be fixed with the wall fixing bracket (see Fig.1).
3. Mark the hole positions for fixing bracket onto the wall. Drill and plug the wall at the marked positions. Screw the fixing bracket to the wall with suitable screws (not supplied) (see Fig.2).
4. Unscrew and remove the four retaining screws and lift the cover from the cable junction box, taking care not to lose the rubber sealing gasket.
5. Loosen the plastic gland nut (Part No.1 Fig.3). Unscrew the two cable clamp retaining screws and remove the clamping bar (Part No.2 Fig.3). Pass your mains cable through the gland nut and the inner rubber gasket into the junction box passing over the cable clamp lower bar. (N.B cable must be a minimum of 0.75mm², for the safe operation of this unit).
6. Connect the mains wires in to the terminal block as indicated (see Fig.3). Brown to the live terminal, Blue to the neutral terminal and green/yellow to the earth terminal.
7. Replace the cable clamping bar and tighten the screws until it the cable is securely held in place. Tighten the gland nut and then replace the junction box cover, ensuring that rubber gasket is safely in place.
8. Undo the screw on the front glass cover and hinge open. Insert bulb into spring loaded holders. Do not touch the bulb with bare hands. Close the glass cover and tighten the screw. Ensure that all seals and grommets are secure (see Fig.4).
9. Mount the unit to the wall fixing bracket by replacing the two bolts. Adjust the floodlight to desired angle and tighten the bolts.



2) Operating Instructions for the (PIR) Movement Detector

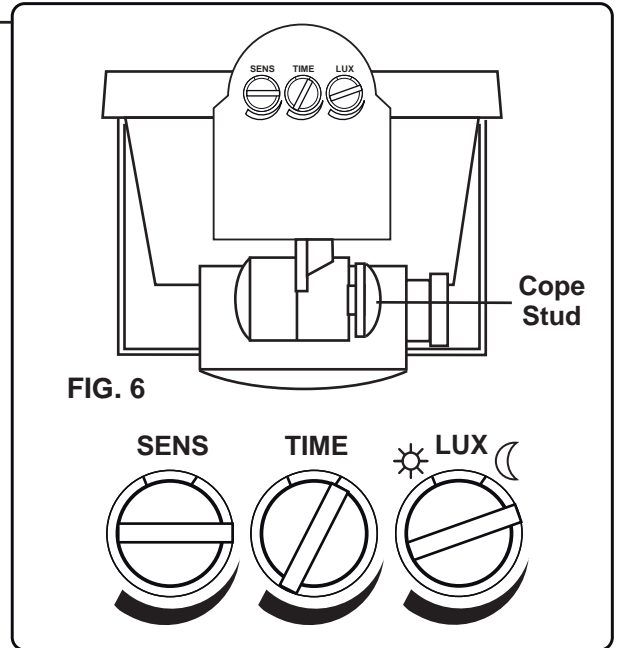


The following adjustments may be made to this unit.

1. To select the detection area (area of movement), adjust the angle of the PIR. (see Fig.5)
2. You can select the scanning field of PIR by adjusting its position on the swivel joint. (see Fig.6)
3. You can adjust the time that the lamp illuminates from 10±5 seconds to 4±1 minutes).
4. The (☀) position indicates that the PIR will function both at night and during daylight, the (☾) position indicates that the PIR will only work at night.

3) Setting Up and Adjusting the PIR

1. Loosen the Cope Stud before rotating the PIR sensor
2. Adjust the detection area by rotating the PIR sensor.
3. Adjusting the duration time: Turning the TIME KNOB from (-) to (+) will increase the duration time (refer to Fig.6)
4. Adjusting the LUX control level: (☀) position denotes that the PIR can switch the floodlight on during daylight hours or at night. (☾) position denotes that the PIR can only switch the floodlight on at night. (refer to Fig.6)
5. Adjusting the sensitivity: Turning the SENS KNOB from (-) to (+) will increase the sensitivity of the detector. (refer to Fig.6)
6. Walk Test: The walk test will help you determine and adjust the detection area of your PIR. To carry out this test place the LUX control to the day position and the TIME control to minimum (-). Once the PIR sensor receives a valid trigger signal (such as the movement of a human body) within its detection area, the floodlight will be turned on for the pre-set period of time. You may fine-tune the detection area by adjusting the angle, position and sensitivity of the PIR, to that suitable for the position of the floodlight.



IMPORTANT: Never attempt to remove the PIR lens cover, as this will damage the PIR and render the guarantee invalid.

Warning

1. THE FLOODLIGHT MUST BE EARTHED
2. BEFORE TOUCHING THE FLOODLIGHT, PLEASE SWITCH OFF AND ALLOW IT TO COOL.
3. IN THE EVENT OF DAMAGE OF THE SAFETY SHIELD, MUST BE REPLACED IMMEDIATELY WITH TEMPERED GLASS.
4. ALWAYS ENSURE THAT THE MAINS SUPPLY IS SWITCH OFF BEFORE FITTING A REPLACEMENT HALOGEN TUBE.

Technical Data

Model:	FPP SL150PIR
Voltage:	220-240VAC 50Hz
Bulb:	Max. 150Watt, R7s 78mm tungsten halogen lamp
Waterproof:	IP44
Tempered Glass(LxWxT):	133mm x 93mm x 4mm
Unit Dimension(LxWxH):	140mm x 115mm x 200mm

Disposal

This product, accessories and packaging should be sorted for environment-friendly recycling.

ENVIRONMENTAL PROTECTION



Waste electrical products should not be thrown away with household waste. Please recycle where facilities exist. Check with your local authority or retailer for recycling advice.



ALWAYS WEAR SUITABLE PROTECTION

The Faithfull Tools Catalogue features approximately 2,600 products. Ask your local Faithfull stockist for a copy or write to the address below.

FAITHFULL TOOLS

Long Reach, Galleon Boulevard,
Crossways Business Park, Dartford,
Kent, DA2 6QE, United Kingdom

E-mail: enquiries@faithfulltools.com

www.ffaithfulltools.com