



150W AND 500W PORTABLE FLOODLIGHTS FPP SL150CP/SL150CPL & FPP SL500CP/SL500CPL

IMPORTANT SAFETY INSTRUCTIONS

Carefully read and understand all instructions before attempting to assemble or operate this fixture.

GENERAL SAFETY INFORMATION

1. Make sure power conforms to lamp requirements.
2. Make sure bulb used is the correct wattage. Using bulb of higher than rated wattage can increase risk of fire.
3. Replace or repair damaged cords immediately.
4. Replace or repair damaged or missing lenses and guards immediately.
5. Refer all servicing of electrical parts to a qualified electrician.
6. Protect power cords from coming in contact with sharp objects, chemicals, or hot surfaces.
7. To avoid electrical shock, do not operate unit around standing water.

CAUTION

1. Bulb and fixture become extremely hot during use. Keep away from flammable objects and handle with care. Always unplug the light and let it cool 5 minutes before attempting to touch the fixture.
2. Do not remove guard or lens when the lamp is on. Turn fixtures off and allow to cool before servicing. Do not attempt to operate without safety wire guard.
3. Do not direct light at persons or look directly at lighted bulb.
4. Use only 3 wire extension cords that have a 3 prong grounding type plug, and a 3-pole receptacle that accepts the equipment plug.

FITTING TUNGSTEN HALOGEN LAMP

Undo top centre screw of main fitting assembly to release front cover. Unpack the Tungsten Halogen Lamp.

Make sure protective wrapping remains in place whilst handling. This is to ensure finger contact is not made with the lamp glass, as this will cause the lamp to malfunction. Carefully take hold of the lamp making sure protective wrapping is still in place.

Place one end of lamp into one side of lamp holder, pushing lightly to one side of lamp holder. Make sure both ends of the lamp are making correct contact with lamp holders, remove protective wrapping and refit front cover making sure glass seal is in place.

DO NOT ATTEMPT TO REPLACE A FAULTY OR BURNT OUT LAMP WHILST FITTING IS HOT.

REPLACEMENT TUBE

FPP SL150CP	240V	FPP SLT150W2
CLASS C	240V	FPP SLT150WC
FPP SL150CPL	110V	FPP SLT150W2L
CLASS C	240V	FPP SLT150WCL
FPP SL500CP	240V	FPP SLT500W2
CLASS C	240V	FPP SLT500WC
FPP SL500CPL	110V	FPP SLT500W2L
CLASS C	240V	FPP SLT500WCL

ASSEMBLY INSTRUCTIONS

Slide stand base into handle/fitting assembly and fix into place with the wingnut provided. Adjust the head angle by loosening the wingnut. Make sure to tighten the wingnut when head is in desired position.

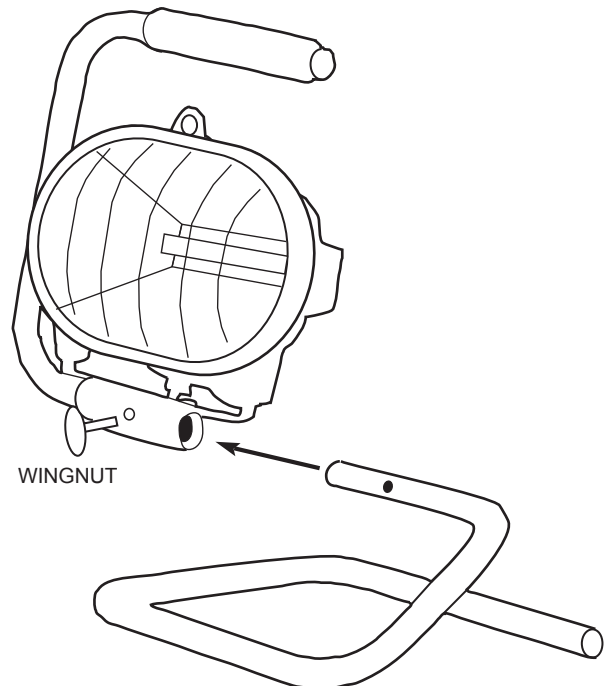
NOTE

If the fixture does not function when you turn on power, unplug fixture and check the bulb. Make sure it is properly seated in sockets.

OPERATING INSTRUCTIONS

For the successful operation of your new fitting please read and adhere to the following list:

- Make sure the fitting is standing on a solid and stable surface at all times.
- Make sure the fitting is placed at least 1 metre away from any obstructions.
- Make sure the fitting is not covered in any way
- Make sure young children and babies do not come into contact with the fitting when in use.
- Do not operate near to inflammable surfaces.
- Replace cracked or broken glass immediately before attempting to use the fitting. (If replacing glass use only tempered/shatterproof glass)



IMPORTANT

WHEN IN OPERATION THIS FITTING IS EXTREMELY HOT. DO NOT TOUCH THE FITTING ITSELF UNTIL IT HAS COOLED DOWN. DO NOT FULLY IMMERSE THIS FITTING IN WATER.