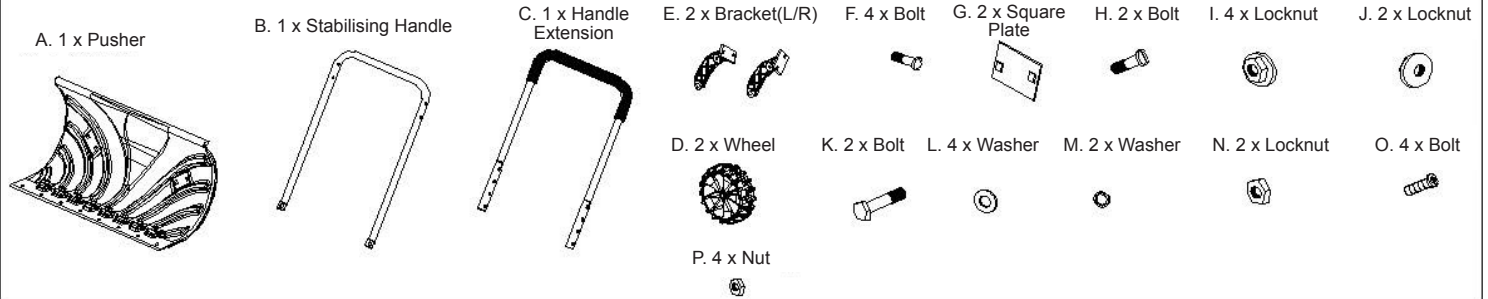


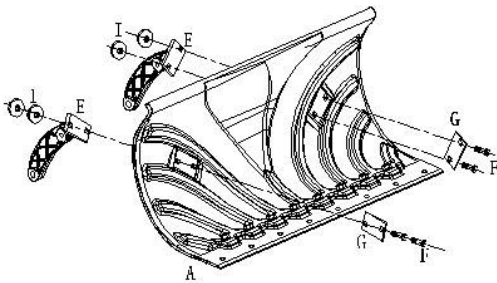


FAI SNOWPLOG SNOW PUSHER ASSEMBLY INSTRUCTIONS
 PLEASE CHECK ALL PACKING MATERIAL CAREFULLY BEFORE DISCARDING AS
 SOME PARTS MAY BE ENCASED IN THE PACKING MATERIAL



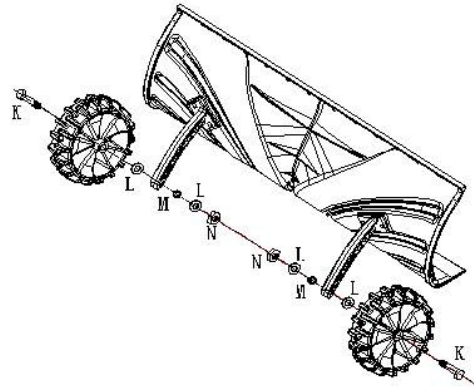
Step 1: Snow pusher head assembly

To secure the snow pusher head onto the brackets, insert four bolts (F) through the two square plates (G) and through the front of the blade into the left and right plastic brackets (E). Screw on the locknuts (I) and fasten them with a wrench.



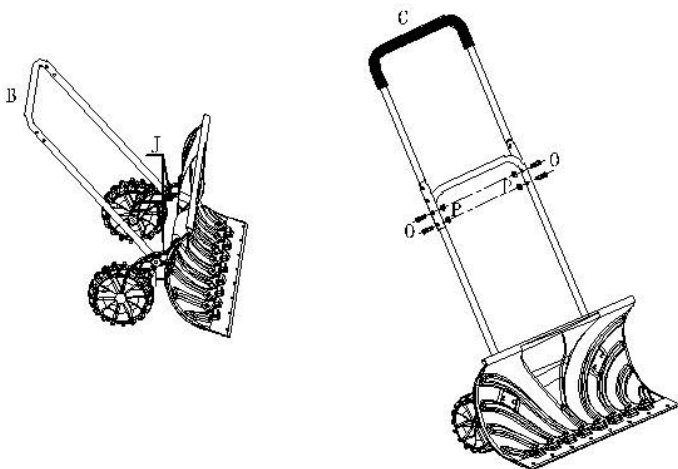
Step 2: Attaching the wheels

Using two bolts (K) to secure left and right wheels onto the brackets on each side, use washers (L) & (M) as indicated below, fasten with nuts (N).



Step 3: Handle assembly

Attach the stabilising handle (B) to the brackets of the snow pusher head using two bolts (H) on each side and two locknuts (J). Attach the handle extension (C) in the desired position with four Phillips head bolts (O) and nuts (P).



Step 3: Completion

