



Heavy-Duty CABLE WINCHES

FAI AUWIN450 450kg

FAI AUWIN900 900kg

USER INSTRUCTIONS



INTRODUCTION

It is important to read and fully understand the operating instructions supplied with this product and any labels attached to the winch. Learn its applications and understand its limitations and the potential hazards associated with using this tool. It is the user's responsibility to ensure this product is operated in accordance with these instructions and that all safety precautions are observed before use.

Store this manual in a safe place for future reference.

GENERAL SAFETY INSTRUCTIONS

Always access risk factors

- Even when used as prescribed it is not possible to eliminate all residual risk factors. ALWAYS use with caution.

Clean work area

- Accidents occur where work areas are cluttered or dirty. Work areas should be kept clear and clean at all times. Avoid working where an area is slippery due to water, oil, paint or other contaminants on the ground.

Children

- Children should always be kept at a safe distance from any work area. Make any work area or workshop child-proof. Lock tools away where children cannot gain access to them.

Don't use excess force

- Do not force your winch. It will provide better service if you do not use excessive force when using it.

Use the correct tool

- Do not attempt to use this winch for a purpose that it was not designed for.

Wear correct clothing

- Do not wear loose clothing, neckties or jewellery or other items which may get caught in moving parts.
- Wear non-slip footwear, cover or tie back long hair, roll long sleeves above the elbow.

Protect your head, eyes and hands

- Wear a safety helmet
- Wear safety goggles at all times, glasses do not provide adequate eye protection, as lenses are not impact resistant and could shatter.
- Wear suitable gloves when using winch and handling cable.

Keep your balance

- Don't over reach and keep a proper footing at all times to ensure correct balance.

Never stand on your tool

- Standing on your winch could cause injury if the winch tips. Do not store materials above or near the winch so that it is necessary to stand on the winch to reach them.

Check damaged parts

- Before use inspect the winch, if any part of the winch shows signs of wear or damage, **do not use the tool.**

Maintain your tool

- Keep your winch in good working order, keep it clean and oiled. Follow the Instructions for changing accessories and lubrication. Check carefully that it will operate properly and perform its intended operation. Check alignment of moving parts for binding.

If any parts are damaged do not use this tool.

WARNING: DEATH OR SERIOUS INJURY CAN RESULT WITH IMPROPER USE OF THIS TOOL

IMPORTANT SAFETY RULES

Familiarize yourself with these rules and the application, limitations and potential hazards of using the winch.

- **DO NOT** use this winch for lifting, it is not designed or certificated for lifting or slinging loads. The winch must never be used for lifting people or animals or for climbing purposes. They are intended only as pulling / tensioning devices and must only be used as such.
- **DO NOT** exceed the maximum pulling capacity.
- **DO NOT** try to pull items around corners or wrap the cable around any object and hook it back on itself.
- **DO NOT** operate the cable winch if any parts are damaged or worn prior to use.
- **DO NOT** operate the cable winch with less than five full turns of cable on the cable drum.
- **DO NOT** use a 'cheater' pipe, lever, or other device to extend the handle length for additional leverage, as the winch may fail causing damage and or personal injury.
- **DO NOT** use Winch to hold a load for extended period of time.
- **DO NOT** stand between the winch and load being pulled or attempt to step over or under the cable during use.
- **ALWAYS** inspect this tool before use. Carefully check the cable for fraying, kinks, broken strands, or distortion. if any of these are present the cable should be replaced immediately.
- **ALWAYS** ensure that you know how much load you are pulling. Never exceed the maximum pulling capacity. Take into account any angle of incline over which the load must be pulled. Also account for pulling loads through thick mud, through snow or water.
See Fig.5 EXAMPLES OF LOAD
- **ALWAYS** use an adequate sling, eyebolt or other accessories attached to the load to be pulled. Ensure that the accessories fitted exceed the pulling capacities of the cable winch.
- **ALWAYS** Ensure that the safety latches on the hooks are closed and that the load is secure before pulling or tensioning commences.
- **ALWAYS** wear gloves when using a winch and keep fingers and hands clear of the ratchet, gears and cable at all times.
- **ALWAYS** ensure the Ratchet Switch Pawl is set and engaged in the correct position for the intended operation that the winch is to be used for (pulling or releasing).
- **ALWAYS** keep tension on the cable when you are releasing or winding the cable.
- **ALWAYS** store the winch cable in its fully retracted position when not in use.

SPECIFICATIONS

Product code:	FAI AUWIN450
Ratchet system:	Single
Maximum load:	450kg
Cable ø:	4.5mm
Cable length:	10M
Single speed ratcheting crank: 4:1 ratio	

Product code:	FAI AUWIN900
Ratchet system:	Single
Maximum load:	900kg
Cable ø:	5.1mm
Cable length:	10M
Two speed ratcheting crank: 6:1 or 3:1 ratio	

MOUNTING INSTRUCTIONS

Consideration should be given the mounting position of the winch as free movement of the crank handle must be allowed for.

The winch should be mounted and secured to a flat, solid surface that is able to withstand the weight capacity of the winch being installed.

To install first place the Ratchet Switch Pawl in its center position (B) and pull the cable out until the mounting holes in the base plate are visible. The mounting plate has five fixing positions and the winch should be fixed by using at least three of these in a triangular pattern. Use bolts of a suitable size (10mm) in conjunction with the

appropriate washers and locking nuts to secure the winch. If mounting on to a vehicle or trailer ensure that it is able to withstand the maximum weight capacity of the winch. Refer to the vehicle owner's manual for the recommended mounting points that should be used.

Once installed fit the winding handle, place the 'U' shaped support bracket on to the drive spindle with its flat surface facing the winch body. Slot the winch handle shaft on to the drive spindle and fix in place using the supplied locking nut. Ensure that the nut is fully tightened using a suitable spanner or socket.

OPERATION INSTRUCTIONS

Inspect the winch before use and identify and inspect the load point that you intend to use. Do not wrap the cable around any object and hook it back on itself. Always ensure that there are at least five full turns of cable around the cable drum prior to beginning to operate the winch. When connecting the hooks make sure the Safety Latches (6) are fully closed.

Operating the Pawl (2).

- (1) **UNWINDING** Pull the Ratchet Switch Pawl all the way back and down to position (Fig.1). Turn the Crank Handle counter clockwise to unwind the cable.
- (2) **UNLOCKING** To place the winch in a neutral position place the Ratchet Switch Pawl in position (Fig.2) this will allow the winch to freewheel in either direction.
- (3) **WINDING IN** Push the Ratchet Switch Pawl all the way forwards to the up position (Fig.3). Turn the Crank Handle clockwise to wind in the cable.

Fig. 1 Unwinding

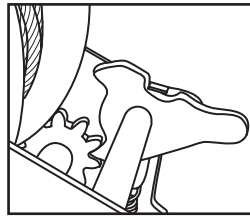


Fig. 2 Unlocking

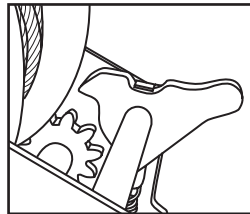
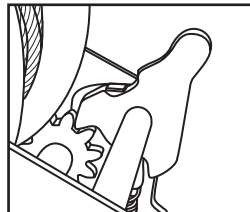


Fig. 3 Winding in



USING THE WINCH

- (1) With the Ratchet Switch Pawl pulled all the way back and down in position (**Fig.1**) turn the Crank Handle (**5**) counter clockwise until the required length of Towing Cable is released and attach the Hook (**6**) to load.
- (2) Move the Ratchet Switch Pawl all the way forwards to the up position (**Fig.3**) turn the Crank Handle clockwise to wind in the cable and pull the load.
- (3) To release a supported or held load the Ratchet Switch Pawl must first be moved from the up position (**Fig.3**) back to the down position (**Fig.1**). **CAUTION** during this process the crank handle must be firmly held to prevent the load moving, as this will permit the reel assembly to unwind and the Crank Handle to spin causing possible injury to the operator and the load to move uncontrollably. Always release the Crank Handle gently and ensure the Ratchet Switch Pawl is fully engaged before releasing the Crank Handle completely. Once in this position the load can be slowly release one ratchet at a time.

DYNAMIC LOADING

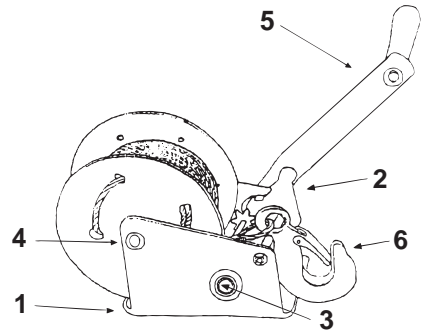
Avoid suddenly starting or jerking against load as this may briefly create excess (DYNAMIC) load causing the product to fail.

VEHICLE MOUNTED USE

Please observe the following additional safety factors if the winch is mounted on a motor vehicle or trailer.

- (1) Secure vehicle in position with its emergency hand brake and chock the wheels before using the winch. Do not put automatic vehicles in park or in gear during use.
- (2) Do not move the vehicle with the cable extended and attached to the load, this could cause the cable to snap resulting in serious injury and/or property damage.

Fig.4 PART IDENTIFIER



1. Mounting Base
2. Ratchet Switch Pawl
3. Drive Axle
4. Drum Axle
5. Crank Handle
6. Load Hook

MAINTENANCE OF YOU PULLER

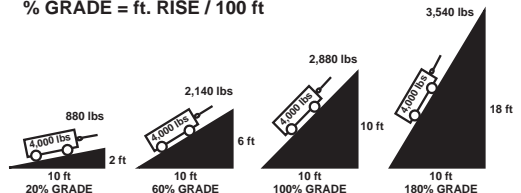
Apply grease to the axle and gears before storing for extended period.

DO NOT oil or grease the Ratchet Switch Pawl mechanism

Routinely check the free movement of the Ratchet Switch Pawl and the hook safety latches.

Fig.5 EXAMPLES OF LOAD

% GRADE = ft. RISE / 100 ft



DO NOT EXCEED 180% GRADE WHEN PULLING ANY WEIGHT LOAD. THIS PRODUCT IS NOT DESIGNED FOR LIFTING.

IMPORTANT These figures do not include a coefficient of friction. Loads that do not have wheels or some smooth means of rolling, will require significantly more power to pull, so loads will have to be much lighter than the 4,000 lb example above.

IMPORTANT: NO LIABILITY IS ACCEPTED FOR PERSONAL INJURY OR DAMAGE TO A VEHICLE OR PROPERTY CAUSED BY THE INCORRECT LOCATION OR USE OF THE PULLER.

No portion of this manual or artwork may be reproduced in any for without the written consent of Faithfull Tools.