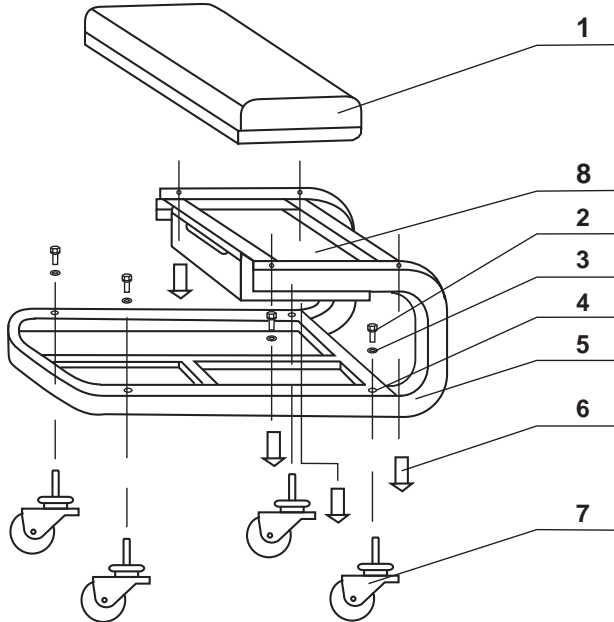




# STEEL SEAT ON WHEELS

## FAI AUSEAT ASSEMBLY INSTRUCTIONS



Item No.	Description	Qty
1	Seat	1
2	Nut for Wheel	4
3	Washer	4
4	Plastic Tray	1
5	Steel Unit	1
6	Screw for Seat	4
7	Castor Wheel	4
8	Drawer	1



Overall size: 365 x 360 x 400mm

**IMPORTANT: NO LIABILITY IS ACCEPTED FOR THE INCORRECT USE OF PRODUCT.**

FAITHFULL TOOLS, Long Reach, Galleon Boulevard, Crossways Business Park, Dartford, Kent DA2 6QE

E-mail: [enquiries@faithfulltools.com](mailto:enquiries@faithfulltools.com) [www.fairhulltools.com](http://www.fairhulltools.com)