



Hydraulic BOTTLE JACK

FAI AUCJACBOT2 2 TON BOTTLE JACK

FAI AUCJACBOT4 4 TON BOTTLE JACK

FAI AUCJACBOT6 6 TON BOTTLE JACK

USER INSTRUCTIONS



INTRODUCTION

It is important to read and fully understand the operating instructions supplied with this product and any labels attached to the jack. Learn its applications and understand its limitations and the potential hazards associated with using this tool. It is the user's responsibility to ensure this product is operated in accordance with these instructions and that all safety precautions are observed before use.

Store this manual in a safe place for future reference.

GENERAL SAFETY INSTRUCTIONS

Always access risk factors

- Even when used as prescribed it is not possible to eliminate all residual risk factors. ALWAYS use with caution.

Clean work area

- Accidents occur where work areas are cluttered or dirty. Work areas should be kept clear and clean at all times. Avoid working where an area is slippery due to water, oil, paint or other contaminants on the ground.

Children

- Children should always be kept at a safe distance from any work area. Make any work area or workshop child-proof. Lock tools away where children cannot gain access to them.

Don't use excess force

- Do not force your Jack. It will provide better service if you do not use excessive force when using it.

Use the correct tool

- Do not attempt to use this jack for a purpose that it was not designed for.

Wear correct clothing

- Do not wear loose clothing, neckties or jewellery or other items which may get caught in moving parts. Wear non-slip footwear, cover or tie back long hair, roll long sleeves above the elbow.

Protect your head, eyes and hands

- Wear a safety helmet
- Wear safety goggles at all times, glasses do not provide adequate eye protection, as lenses are not impact resistant and could shatter.
- Wear suitable gloves.

Keep your balance

- Don't over reach and keep a proper footing at all times to ensure correct balance.

Never stand on your tool

- Standing on your puller could cause injury if the jack tips. Do not store materials above or near the jack so that it is necessary to stand on the jack to reach them.

Check damaged parts

- Before use inspect the jack, if any part of the jack shows signs of wear or damage, **do not use the tool.**

Maintain your tool

- Keep your jack in good working order, keep it clean and oiled. Follow the Instructions for changing accessories and lubrication. Check carefully that it will operate properly and perform its intended operation.
If any parts are damaged do not use this tool.

WARNING: DEATH OR SERIOUS INJURY CAN RESULT WITH IMPROPER USE OF THIS TOOL

IMPORTANT SAFETY RULES

Familiarize yourself with these rules and the application, limitations and potential hazards of using the jack.

- **DO NOT** use a bottle jack for any other application other than lifting.
- **DO NOT** exceed the maximum lifting capacity as stated on the product or in the operating manual.
- **DO NOT** allow the vehicle to move during a jacking operation.
- **DO NOT** operate the bottle jack if any parts are damaged or worn prior to use.
- **DO NOT** top up the hydraulic system with brake fluid. Use hydraulic jack oil only with a rating of SAE 10.
- **DO NOT** use a 'cheater' pipe, lever, or other device to extend the handle length for additional leverage.
- **DO NOT** adjust the safety overload valve. This is correctly set at the factory and no further readjustment is necessary.
- **DO NOT** use a bottle jack to support a lifted load. Appropriate rated axle stands should be correctly positioned and the load lowered as soon as possible, to provide a safe working environment.
- **DO NOT** work under the vehicle until axle stands have been correctly positioned under the vehicle.
- **DO NOT** lift the vehicle if there is a likelihood of spillage of fuel, battery acid, oil or other dangerous fluids.
- **DO NOT** allow an untrained or young person to operate the jack without full supervision.
- **ALWAYS** inspect the jack before use.
- **ALWAYS** use a bottle jack on level solid ground, concrete is preferable. Avoid tarmac surfaces as these are prone to sinking.
- **ALWAYS** ensure the engine is switched off and that there are no passengers in the vehicle.
- **ALWAYS** ensure the vehicle handbrake is engaged and transmission is in gear or "PARK" if the vehicle has an automatic gear box.
- **ALWAYS** check the wheels of the vehicle to be jacked at the non-lifting end.
- **ALWAYS** place the jack under the lifting point recommended by vehicle manufacturer, some vehicles require an adaptor to properly engage the frame for lifting. Check the vehicle handbook if in doubt.
- **ALWAYS** check that the lifting point is sound and centered on the jack saddle prior to lifting.
- **ALWAYS** ensure a minimum distance of 0.5m between the vehicle and any static objects such as walls, doors or other vehicles to allow for the vehicle tilting during lifting.
- **ALWAYS** store the jack in its retracted position in a safe, dry place.

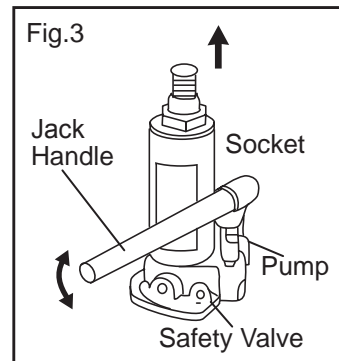
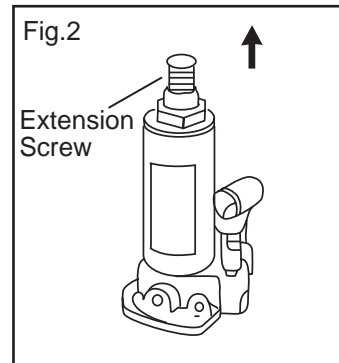
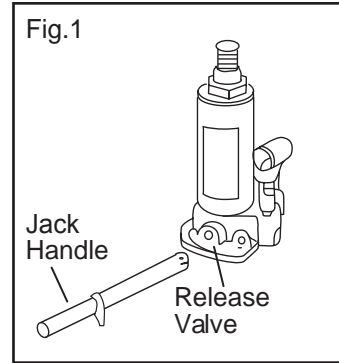
SPECIFICATIONS

Product code:	Maximum load:	Minimum height:	Lift height:	Adjusting height:
FAI AUJACBOT2	2 Ton (2000kg)	181mm	116mm	48mm
FAI AUJACBOT4	4 Ton (4000kg)	194mm	118mm	60mm
FAI AUJACBOT6	6 Ton (6000kg)	216mm	127mm	70mm

OPERATION INSTRUCTIONS

TO RAISE:

1. With the narrow end of the jack handle, close the release valve tightly by turning it clockwise. (Fig.1)
2. Place jack under the vehicle at the proper lifting location. (Refer to vehicle Owner's Manual.) If needed turn the extension screw on the jack counter clockwise to extend the saddle until it comes into contact with the vehicle. (Fig.2)
3. Insert the jack handle into the handle socket. Pump the handle to lift the vehicle to desired height. (Fig.3)



TO LOWER:

CAUTION: LOWER VEHICLE SLOWLY! TURN THE RELEASE VALVE SLOWLY!

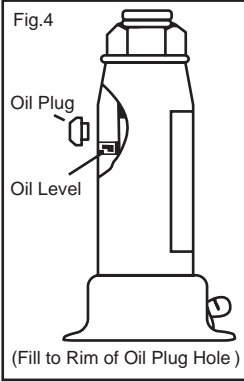
1. Remove handle and use the small end to open the release valve by turning it SLOWLY in a counter clockwise direction)

NOTE: DO NOT OPEN RELEASE VALVE MORE THAN ONE (1) FULL TURN

2. When the vehicle is fully lowered, remove jack. If the extension screw has been extended, turn it clockwise until it retracts enough to move jack away from under the vehicle.

Do NOT adjust the safety overload valve. This is correctly set at the factory and no further readjustment is necessary.

ADDING OIL / LUBRICATION (Fig.4)



1. Place the jack in an upright position.
2. Lower pump and piston to the full down position.
3. Remove rubber oil plug on jack
4. Fill with GOOD GRADE SAE 10 HYDRAULIC OIL only. (Fill to lower rim of oil fill hole.)

Purge system of air as described below (purging air from Hydraulic System).

5. Replace rubber oil plug.
6. Lubricate pivoting joints and screw extension periodically

PURGING AIR FROM THE SYSTEM

Occasionally air bubbles become trapped inside the jack, reducing its efficiency. Bleed air out of the jack's hydraulic system as follows:

1. Open release valve, remove oil plug.
2. Operate pump rapidly several times to force air out.
3. Close release valve, replace oil plug.

The Jack should now operate normally. If not, repeat purging procedure as needed.

GENERAL CARE OF YOUR JACK

1. When the jack is not in use keep the piston and extension screw in the fully down position. This will protect the precision machined surfaces of the piston rod and pump piston from corrosion.
2. When not in use avoid contact with moisture. If the jack becomes wet or damp, wipe dry and grease/lubricate all jack parts.

SOLUTIONS

Release valve may not be tightly closed.						
Jack may be low on oil. Remove filler plug and fill reservoir with clean hydraulic jack		✓				
Reservoir may be overfilled. Remove filler plug and drain excess oil.						
Jack may be air-bound. Open the release valve and pump the handle several times. Close the release valve and operate. Repeat if necessary.						
Release valve may not be closed or have foreign matter present. To flush valve. Lower the saddle and close the release valve. Manually lift the saddle several inches, open the release valve and then force the saddle to lower as rapidly as possible.						✓
Jack will not lift full height						
Handle raises or flies back under load						
Pump feels spongy						
Oil leaking from filler plug						
Jack lowers under load						
Jack will not lift load or full rated capacity	✓					
Jack will not lift load or full rated capacity	✓	✓				

PROBLEM

IMPORTANT: NO LIABILITY IS ACCEPTED FOR PERSONAL INJURY OR DAMAGE TO A VEHICLE OR PROPERTY CAUSED BY THE INCORRECT LOCATION OR USE OF THE JACK.

No portion of this manual or artwork may be reproduced in any for without the written consent of Faithfull Tools.