

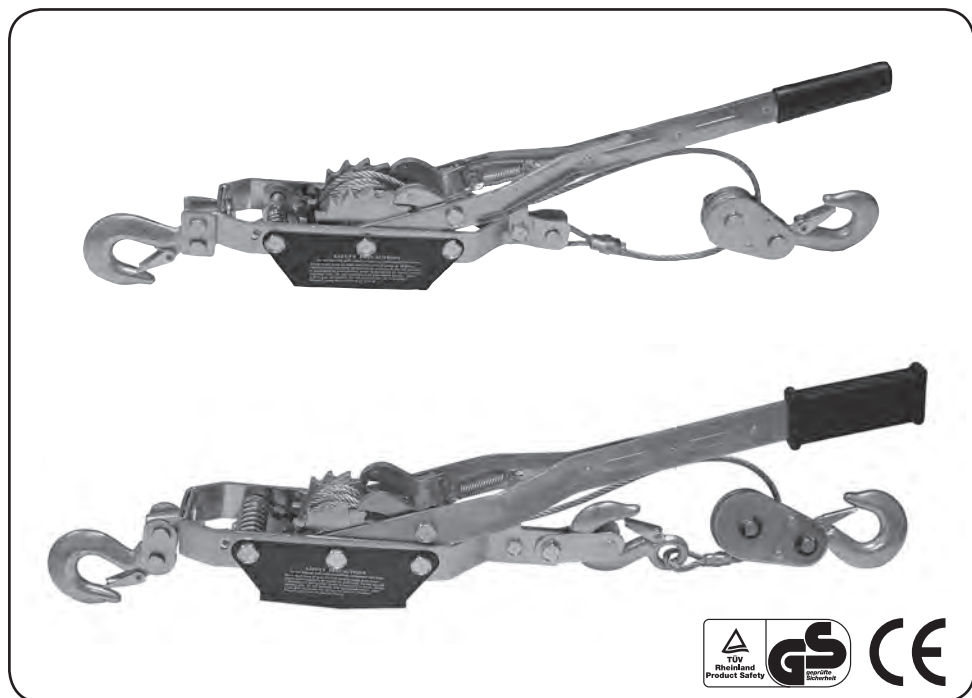


# Heavy-Duty CABLE PULLERS

FAI AUCABLE2 2 Ton

FAI AUCABLE4 4 Ton

## USER INSTRUCTIONS



### INTRODUCTION

It is important to read and fully understand the operating instructions supplied with this product and any labels attached to the puller. Learn its applications and understand its limitations and the potential hazards associated with using this tool. It is the user's responsibility to ensure this product is operated in accordance with these instructions and that all safety precautions are observed before use.

**Store this manual in a safe place for future reference.**

## GENERAL SAFETY INSTRUCTIONS

### Always access risk factors

- Even when used as prescribed it is not possible to eliminate all residual risk factors. ALWAYS use with caution.

### Clean work area

- Accidents occur where work areas are cluttered or dirty. Work areas should be kept clear and clean at all times. Avoid working where an area is slippery due to water, oil, paint or other contaminants on the ground.

### Children

- Children should always be kept at a safe distance from any work area. Make any work area or workshop child-proof. Lock tools away where children cannot gain access to them.

### Don't use excess force

- Do not force your puller. It will provide better service if you do not use excessive force when using it.

### Use the correct tool

- Do not attempt to use this puller for a purpose that it was not designed for.

### Wear correct clothing

- Do not wear loose clothing, neckties or jewellery or other items which may get caught in moving parts.
- Wear non-slip footwear, cover or tie back long hair, roll long sleeves above the elbow.

### Protect your head, eyes and hands

- Wear a safety helmet
- Wear safety goggles at all times, glasses do not provide adequate eye protection, as lenses are not impact resistant and could shatter.
- Wear suitable gloves when handling cable.

### Keep your balance

- Don't over reach and keep a proper footing at all times to ensure correct balance.

### Never stand on your tool

- Standing on your puller could cause injury if the puller tips. Do not store materials above or near the puller so that it is necessary to stand on the puller to reach them.

### Check damaged parts

- Before use inspect the puller, if any part of the puller shows signs of wear or damage, **do not use the tool.**

### Maintain your tool

- Keep your puller in good working order, keep it clean and oiled. Follow the Instructions for changing accessories and lubrication. Check carefully that it will operate properly and perform its intended operation. Check alignment of moving parts for binding.

**If any parts are damaged do not use this tool.**

**WARNING: DEATH OR SERIOUS INJURY CAN RESULT WITH IMPROPER USE OF THIS TOOL**

## IMPORTANT SAFETY RULES

### Familiarize yourself with these rules and the application, limitations and potential hazards of using the puller.

- **DO NOT USE THIS PULLER FOR LIFTING, it is not designed or certificated for lifting or slinging loads. The puller must never be used for lifting people or animals or for climbing purposes. They are intended only as pulling/tensioning devices and must only be used as such.**
- **DO NOT** exceed the maximum pulling capacity.
- **DO NOT** try to pull items around corners or wrap the cable around any object and hook it back on itself.
- **DO NOT** operate the cable puller if any parts are damaged or worn prior to use.
- **DO NOT** operate the cable puller with less than five full turns of cable on the cable drum.
- **DO NOT** use a 'cheater' pipe, lever, or other device to extend the handle length for additional leverage, as the puller may fail causing damage and or personal injury.
- **ALWAYS** inspect this tool before use. Carefully check the cable for fraying, kinks, broken strands, or distortion. If any of these are present the cable should be replaced immediately.
- **ALWAYS** ensure that you know how much load you are pulling. Never exceed the maximum pulling capacity. Take into account any angle of incline over which the load must be pulled. Also account for pulling loads through thick mud, through snow or water.  
**See Fig.4 EXAMPLES OF LOAD**
- **ALWAYS** use an adequate sling, eyebolt or other accessories attached to the load to be pulled. Ensure that the accessories fitted exceed the pulling capacities of the cable puller.
- **ALWAYS** Ensure that the safety latches on the hooks are closed and that the load is secure before pulling or tensioning commences.
- **ALWAYS** keep fingers and hands clear of the ratchet and cable at all times.
- **ALWAYS** ensure the Stop Pawl Spring is engaged when the tool is being used to pull or tension an object.
- **ALWAYS** keep tension on the cable when you are releasing or winding the cable.
- **ALWAYS** store the Cable Puller in its retracted position in a safe, dry place.
- **ALWAYS** keep fingers and hands clear of the ratchet and cable at all times.
- **ALWAYS** ensure the Stop Pawl Spring is engaged when the tool is being used to pull or tension an object.
- **ALWAYS** keep tension on the cable when you are releasing or winding the cable.

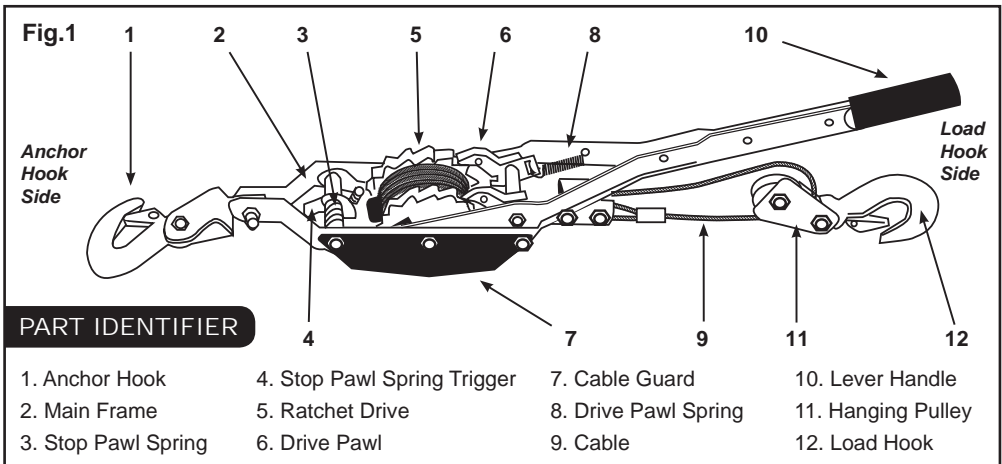
## SPECIFICATIONS

Product code:	<b>FAI AUCABLE2</b>
Ratchet system:	<b>Double</b>
Maximum load:	<b>2 Ton / 2000kg</b>
Cable ø:	<b>4.8mm</b>
Cable length:	<b>3M</b>
Leverage ratio:	<b>15:1</b>

Product code:	<b>FAI AUCABLE4</b>
Ratchet system:	<b>Double</b>
Maximum load:	<b>4 Ton / 4000kg</b>
Cable ø:	<b>5mm</b>
Cable length:	<b>3M</b>
Leverage ratio:	<b>15:1</b>

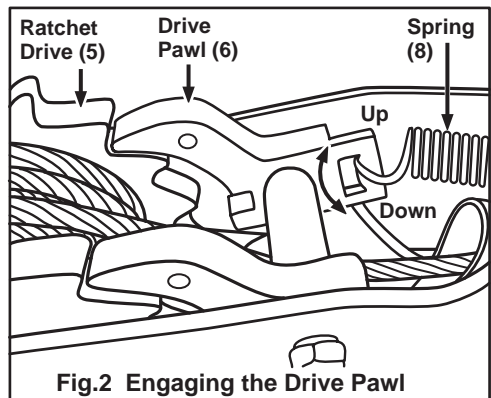
## OPERATION INSTRUCTIONS

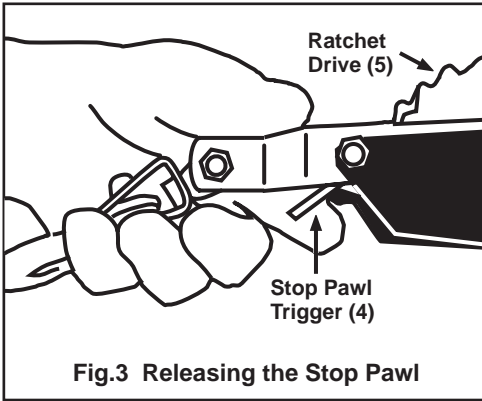
Inspect the puller before use and identify and inspect both the anchor and load points that you intend to use. Do not wrap the cable around any object and hook it back on itself. Always ensure that there are at least five full turns of cable around the cable drum prior to beginning to operate the puller. When connecting the hooks make sure the Safety Latches (1) & (12) are fully closed.



## RELEASING THE CABLE BEFORE PULLING

- 1) Pull the Drive Pawl Spring (8) on the lever handle (10) to the up position to disengage the main Ratchet Drive (5). Fig.2
- 2) Attach the Load Hook (12) to your load. Squeeze up the Stop Pawl Trigger (4) as shown in Fig.3 this will allow the cable to run free. Walk with the cable puller back to reach the anchor point. Once in position release the Stop Pawl Trigger and ensure it is fully engaged back into the Ratchet sprocket cam.
- 3) Connect the Anchor Hook (1) to the anchored point you will be pulling from.





**Fig.3 Releasing the Stop Pawl**

## RELEASING THE TENSION AFTER PULLING

- 1) To loosen the cable, push the Drive Pawl Spring (8) into the up position Fig.2 to disengage the main Ratchet Drive (5).
- 2) Swing the Lever Handle (10) fully over to the Anchor Hook Side of the puller to force the spring loaded Stop Pawl mechanism pin down (3) then slowly raise the Lever Handle. This action will allow the cable drum to back off by one cam step at a time. Repeat this action as needed until the cable tension is released. As the cable tension is eased squeeze up the Stop Pawl Trigger (4) to release it from the cam and gently pull back on the puller to loosen the cable further.
- 3) To help avoid tangling the cable when rewinding on to the drum, leave the Load Hook attached to the load and push the Drive Pawl Spring into the down position. Hold the Anchor hook in one hand and gently pull against the load, while operating the Lever Handle (10) back and forth to rewind the cable neatly back on to the drum.

## PULLING THE LOAD

- 1) To engage the drive, push the Drive Pawl Spring (8) into the down position and the main Ratchet Drive Pawl (6) will engage in the Ratchet Drive sprocket (5) as shown in Fig.2. Begin ratcheting by cranking the lever handle backwards and forwards. The load is pulled on the stroke when the handle cranks towards the anchor point.
- 2) Swing lever handle back and forth until the load has been pulled to the desired position.
- 3) Secure the load so it will not move when you release the tension on the cable.

## MAINTENANCE OF YOUR PULLER

Routinely check the free movement of the Stop Pawl Trigger (4), Drive Pawl (6) and the Load Hook Safety latches (1).

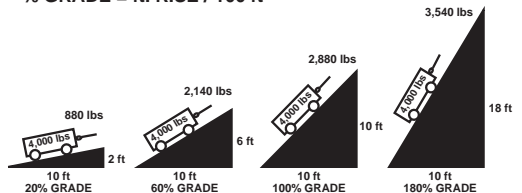
## Lubrication Points

Lubricate the Cable Puller at the points shown in Fig.1.

- Drive Pawl (6)
- Hanging Pulley (11)
- Anchor Hook (1)
- Stop Pawl Trigger (4)
- Load Hook (12)

## Fig.4 EXAMPLES OF LOAD

**% GRADE = ft. RISE / 100 ft**



**DO NOT EXCEED 180% GRADE WHEN PULLING ANY WEIGHT LOAD. THIS PRODUCT IS NOT DESIGNED FOR LIFTING.**

**IMPORTANT** These figures do not include a coefficient of friction. Loads that do not have wheels or some smooth means of rolling, will require significantly more power to pull, so loads will have to be much lighter than the 4,000 lb example above.

**IMPORTANT: NO LIABILITY IS ACCEPTED FOR PERSONAL INJURY OR DAMAGE TO A VEHICLE OR PROPERTY CAUSED BY THE INCORRECT LOCATION OR USE OF THE PULLER.**

No portion of this manual or artwork may be reproduced in any for without the written consent of Faithfull Tools.