



FAI GZWORK

# Work Mate Torch Kit

## Instructions for Use, Maintenance and Assembly

READ AND UNDERSTAND THESE INSTRUCTIONS PRIOR TO USE

**Important:** Read these instructions for use carefully so as to familiarize yourself with the appliance before connecting it to its gas container. Keep these instructions for future reference. This appliance is designed to comply with the requirements of BS EN 521:1998

**Appliance:** FAI GZWORK Work Mate Torch Kit

**Category:** Vapour Pressure Butane / Propane Mixture

This appliance shall only be used with Faithfull Butane/ Propane Mix Gas Cartridges or the same type cartridges complying with EN 417. It may be hazardous to attempt to fit other types of gas containers. The cartridge has a self-sealing safety valve, which enables its safe and easy removal from the appliance at any time, re-sealing automatically.

	Fine flame burner	Broad flame burner
Injector No.	23	35
Nominal rate	40g/h 0.56kW	128g/h 1.79 kW

**WARNING: LPG APPLIANCES MUST ONLY BE USED IN WELL VENTILATED AREAS.**

### 1. Safety Information

- 1.1 Check that the seal (1) (Fig 2.) is in place and in good condition before connecting the gas container to the appliance. Do not use the appliance if it has a damaged or worn seal. Replace it.
- 1.2 Do not use an appliance which is leaking, damaged or which does not operate properly.
- 1.3 The appliance shall only be used in a well ventilated location (minimum ventilation requirement 5m<sup>3</sup>/h) in order to satisfy official ventilation standards for the supply of sufficient combustion air and to avoid the dangerous building up of unburned gases.
- 1.4 Always fit the stabilising base to the gas container before using the appliance.
- 1.5 Always put the appliance down on a level surface.
- 1.6 Always operate the appliance safely away from flammable materials. - Minimum distance from walls: 25cm. From ceilings: 60cm.
- 1.7 Gas containers must be fitted or changed in a well ventilated location, preferably outside, away from any sources of ignition, such as naked flames, pilots, electric fires and away from other people.
- 1.8 If there is a leak on your appliance (smell of gas), take it outside immediately into a well ventilated flame free location where the leak may be detected and stopped. If you wish to check for leaks on your appliance, do it outside. Do not try to detect leaks using a flame, use soapy water.
- 1.9 Never leave the appliance unattended when lit.

### 2. Information for use

- 2.1 During use, the appliance will become hot (particularly the burner). Avoid touching these parts with bare hands. The use of gloves is recommended.
- 2.2 Keep young children away from the appliance at all times.
- 2.3 Handle the appliance with care. Do not drop it.
- 2.4 When not in use, wait until the appliance has cooled down, unscrew the gas container from the appliance and store them in a cool dry place away from heat.

### 3. Information for assembly

- 3.1 Before fitting the gas container to the appliance, ensure that the appliance seal (1) is in place and in good condition. Carry out this check each time you fit a gas container.
- 3.2 Ensure that the appliance control knob (3) is turned off (turned fully clockwise).
- 3.3 Keep the gas container (5) upright when fitting it to the appliance. Carefully screw the gas container into the appliance, taking care not to screw the gas container cross-threaded. Screw the gas container hand tight only. Do not over-tighten or you may damage the gas container valve.
- 3.4 To check that the appliance is connected to the gas container in a gas tight fashion, sniff around the connection joint. If you suspect that the connection joint is not gas tight enough, immerse the assembled appliance in a bowl of soapy water. Any leakage will be seen as bubbles coming from the leakage point. If you cannot remedy any leakage, unscrew the gas container from the appliance and return the appliance to your stockist.
- 3.5 If you suspect a leakage from your appliance during use, immediately turn off the appliance control knob (turned fully clockwise), take the appliance outside and follow the instruction 3.4.
- 3.6 To fit the stabilising base (6) to the gas container, push the bottom of the gas container firmly and squarely into the stabilising base until it stops (Fig.1). The stabilising base must always be fitted to the gas container before the appliance is used.

### 4. Information for use

- 4.1 To light the appliance, hold a flame in front of the burner, turn the control knob (3) slowly anticlockwise (in the direction of the "+" arrow), and light the burner.
- 4.2 Adjust the size of the flame by turning the control knob (3). To increase the size of the flame, turn the control knob in the direction of the "+" arrow (anticlockwise). To decrease the size of the flame or to turn the appliance off, turn the control knob in the direction of the "-" arrow (clockwise) (Fig.1).
- 4.3 After use, always ensure the control knob is turned fully off.

### 5. Changing the gas container - (Always read gas container markings)

- 5.1 Always change the gas container outside and away from other people.
- 5.2 Check that the burner flame is extinguished before disconnecting the gas container.
- 5.3 To disconnect the gas container from the appliance, unscrew the gas container anti-clockwise.
- 5.4 Check the seal (1) before connecting a gas container to the appliance. It should be in place in its location groove and be in good condition. Do not connect a gas container to the appliance if the seal is damaged or worn. If in doubt, replace it.
- 5.5 When fitting a gas container to the appliance, follow the instructions 3.2 to 3.7 inclusive.

### 6. Set Accessories

- 6.1 This set comes complete with a fine flame burner and injector allowing the appliance to be used for small brazing applications
- 6.2 Remove the burner and injector by following the instructions 7.2. Fit the No.23 injector and small diameter burner by following the instructions 7.4 and 7.5.
- 6.3 Operate the appliance in accordance with the instructions 1 to 7 inclusive.

### 7. Routine maintenance

- 7.1 If the flame power drops or the gas will not light, check that the gas container still contains gas (shake to hear the noise made by the liquid). If so, the injector (7) might have become blocked or partially blocked.
- 7.2 To remove the injector for cleaning, unscrew the burner (8) in an anti-clockwise direction. Unscrew the injector(7) using a 6 mm A/F spanner. Remove the injector filter (9) from the injector by twisting it with the aid of a small pair of grips (Fig.3).
- 7.3 Clean the injector by blowing through the tiny hole from the front of the injector. Do not use a prickler or any type of pin to clear the blockage, as you could damage the orifice and make the appliance unsafe.
- 7.4 Refit the filter to the injector and screw the injector tightly into the appliance to ensure a safe gas tight seal. Connect a gas container to the appliance following the directions 3.2 to 3.7 inclusive. To check the tightness of the injector joint, apply soapy water to the joint. If bubbles appear, the joint is not tight enough.
- 7.5 Screw on the burner hand tight in a clockwise direction.
- 7.6 Replacement seals (Part No. SP2454) are available from your stockist.
- 7.7 Do not modify the appliance. Do not use it for anything for which it has not been designed.
- 7.8 Do not use a leaking, damaged or malfunctioning appliance.
- 7.9 If you cannot rectify any fault by following these instructions, return the appliance to your Faithfull stockist or direct to us with details of your name, address and a brief description of the fault.

### 8. Spares and Accessories

- 8.1 Use only Faithfull brand spares and accessories.

Faithfull guarantee this product if used and maintained according to these instructions for the warranty period of 5 years, commencing from the date of its purchase by the customer. If a manufacturing defect arises during the warranty period we will repair or replace the product as we see fit, provided it is returned to the stockist from where it was purchased, or direct to our factory free of carriage charge. Proof of purchase and written details of malfunction must accompany all returns. Products that have been dismantled by a third party as well as any defect attributable to improper use are not covered by this warranty. All further liability except loss or damage caused by our negligence is excluded to the fullest extent permitted by law.

This guarantee does not affect your statutory rights.

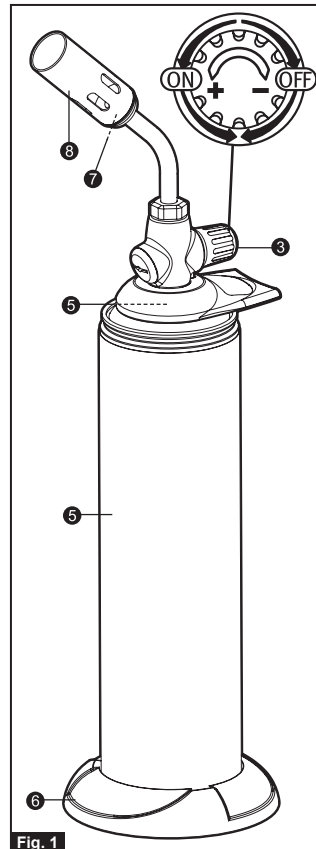


Fig. 1

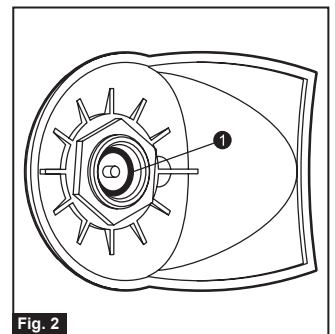


Fig. 2

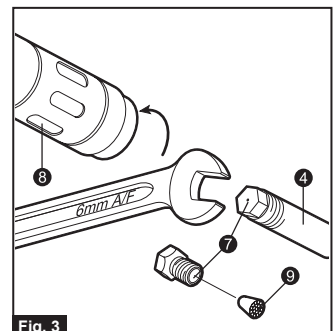


Fig. 3



ALWAYS WEAR  
SUITABLE PROTECTION

#### FAITHFULL TOOLS

Long Reach, Galleon Boulevard,  
Crossways Business Park, Dartford,  
Kent, DA2 6QE, United Kingdom  
E-mail: [enquiries@faithfulltools.com](mailto:enquiries@faithfulltools.com)

[www.fairfulltools.com](http://www.fairfulltools.com)