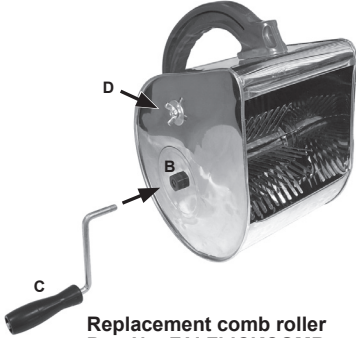
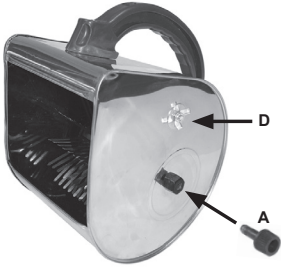
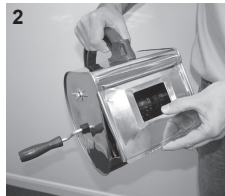
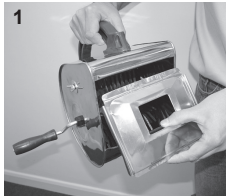
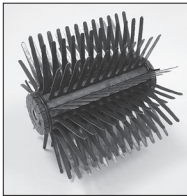


# Flicker Machine

Wall Coating Sprayer



Replacement comb roller  
Part No. FAI FLICKCOMB



## ASSEMBLY OF FLICKER PRIOR TO USE

With the comb roller inside the machine insert the plastic bolt (A) through the left hand side nut and into the roller. Insert the handle (C) through the right hand plastic nut (B) and into the roller. Fully tighten bolt (A) and the handle clockwise.

## PRESSURE BAR

To increase the pressure on the blades unscrew the two wing nuts (D) and slide the bar down towards the blades.

## COMB ROLLER REMOVAL

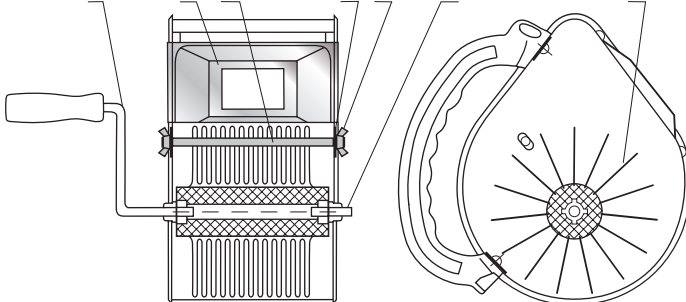
With the reducer cover removed loosen the wing nuts (D) on either side of the casing and slide the inner pressure bar up and clear of the blades.

Holding the handle (C) and plastic bolt (A) unscrew the handle and bolt from the comb roller. Withdraw the roller from the machine.

## REDUCER COVER

To fix the reducer cover insert the longer tabbed side first to the top of the unit (1). Push back to locate (2) then slide the reducer down to sit securely in the casing (3).

Handle Reducer Pressure Bar Washer Wing Nut Plastic Bolt Blades



## FAITHFULL TOOLS

Phoenix House,  
3 White Lodge Business Estate,  
Hall Road, Norwich, Norfolk, NR4 6DG

E-mail: [enquiries@faithfulltools.com](mailto:enquiries@faithfulltools.com)

[www.ffaithfulltools.com](http://www.ffaithfulltools.com)