

Motion Sensor LED Wall Light

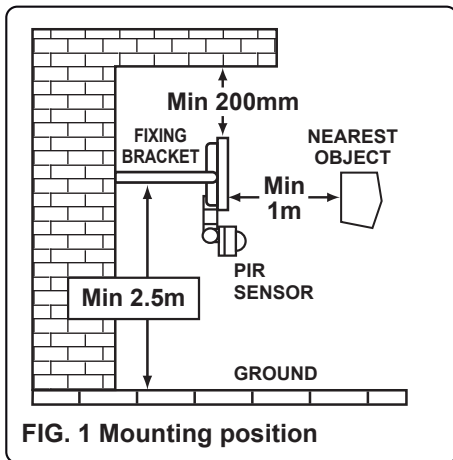
10Watt, 20Watt, 30Watt
FPPSLWM10S FPPSLWM20S FPPSLWM30S

WARNING: ENSURE ELECTRICITY IS ISOLATED AT THE MAINS BEFORE INSTALLATION OR SERVICING.
ALWAYS USE A QUALIFIED TECHNICIAN. THIS IS A SEALED UNIT DO NOT ATTEMPT TO REPAIR.

**PLEASE READ THROUGH ALL FOLLOWING INSTRUCTIONS BEFORE ATTEMPTING TO INSTALL THE UNIT.
IF IN ANY DOUBT ABOUT CORRECT INSTALLATION, PLEASE CONSULT A QUALIFIED ELECTRICIAN.**

IMPORTANT: This product has been designed and manufactured to automatically illuminate an outdoor area once the integral infra-red detector has sensed movement. This is not intended for any other application or use.

Installation and Standard Wiring Instructions



1. Mounting position: Do not mount on a surface prone to vibrations. The floodlight should ideally be fixed with the wall fixing bracket (see Fig.1).
2. Mark the hole positions for fixing bracket onto the wall. Drill and plug the wall at the marked positions. Screw the fixing bracket to the wall with suitable screws (not supplied) (see Fig.2).
3. Connect the unit to a waterproof junction box. (see Fig.3). Brown to the live terminal, Blue to the neutral terminal and green/yellow to the earth terminal.
4. Mount the unit to the wall fixing bracket by replacing the two bolts. Adjust the floodlight to desired angle and tighten the bolts.

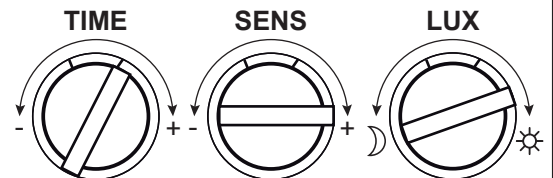
Wiring must be connected in accordance with this diagram.

SYMBOL	(L)	(N)	(E)
CABLE WIRE	Brown Wire	Blue Wire	Green/Yellow Wire

FIG. 3
Connection to mains supply via an outside waterproof junction box.

Adjusting the PIR

Rotate the PIR sensor to adjust the detection area.



TIME

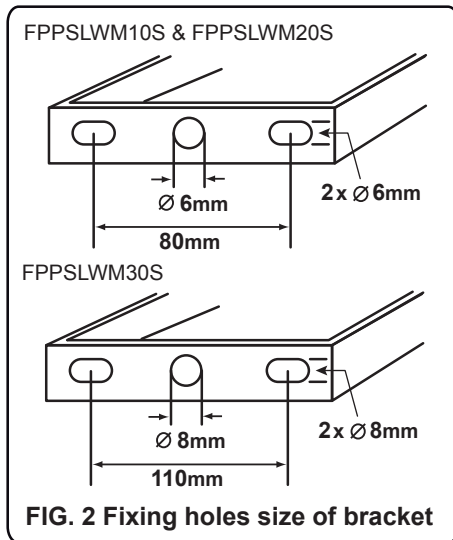
Can be adjusted from 6secs to 12mins. Turning the TIME from (-) to (+) will increase the duration time the light stays on. Please note: When the light goes off, it takes about 1 second to sense again.

SENS

Adjusting the sensitivity: Turning the SENS from (-) to (+) will increase the sensitivity of the detector from 2metres to 9metres when installed at a minimum height of 2.5metres.

LUX

Rotating the LUX control level to the ())) position denotes that the sensor will switch on the light when motion is detected only at night. When rotated to the (☼) position will allow the light to operate during daylight hours regardless of the ambient light level.



Environmental Protection

Waste electrical products should not be thrown away with household waste. Please recycle where facilities exist. Check with your local authority or retailer for recycling advice.



Technical Data

Model:	FPPSLWM10S	FPPSLWM20S	FPPSLWM30S
Voltage:	220-240VAC 50Hz	220-240VAC 50Hz	220-240VAC 50Hz
Bulb:	10 Watt SMD LED	20 Watt SMD LED	30 Watt SMD LED
Waterproof:	IP44	IP44	IP44
Floodlight facade:	tempered glass	tempered glass	tempered glass
Lumens:	800LM	1600LM	2400LM
Color temperature	6500K	6500K	6500K
Detection range	2-9m	2-9m	2-9m
Time delay	6s-12min	6s-12min	6s-12min
Daylight sensor	2-2000lux	2-2000lux	2-2000lux

FAITHFULL TOOLS

Phoenix House, 3 White Lodge Business Estate,
Hall Road, Norwich, Norfolk, NR4 6DG

www.faithfulltools.com