



Motion Sensor LED Work Light

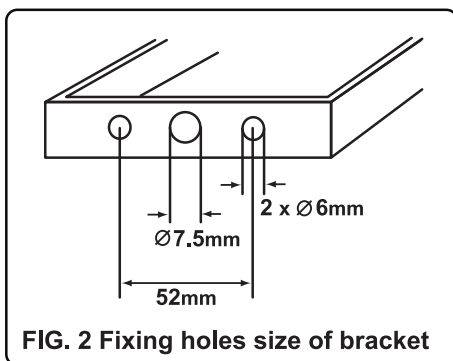
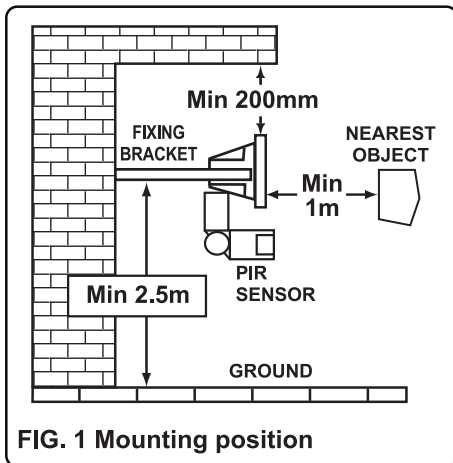
10 Watt

WARNING: ENSURE ELECTRICITY IS SWITCHED OFF AT THE MAINS BEFORE INSTALLATION, OR SERVICING

PLEASE READ THROUGH ALL FOLLOWING INSTRUCTIONS BEFORE ATTEMPTING TO INSTALL THE UNIT. IF IN ANY DOUBT ABOUT CORRECT INSTALLATION, PLEASE CONSULT A QUALIFIED ELECTRICIAN.

IMPORTANT: This product has been designed and manufactured to automatically control floodlight of an outdoor area once the integral infra-red detector has sensed movement. This is not intended for any other application or use.

Installation and Standard Wiring Instructions



1. Do not mount on a surface prone to vibrations.
2. Mounting position: The floodlight should ideally be fixed with the wall fixing bracket (see Fig.1).
3. Mark the hole positions for fixing bracket onto the wall. Drill and plug the wall at the marked positions. Screw the fixing bracket to the wall with suitable screws (not supplied) (see Fig.2).
4. Unscrew and remove the four retaining screws and lift the cover from the cable junction box, taking care not to lose the rubber sealing gasket.
5. Loosen the plastic gland nut (Part No.1 Fig.3). Unscrew the two cable clamp retaining screws and remove the clamping bar (Part No.2 Fig.3). Pass your mains cable through the gland nut and the inner rubber gasket into the junction box passing over the cable clamp lower bar. (N.B cable must be a minimum of 0.75mm², for the safe operation of this unit).
6. Connect the mains wires in to the terminal block as indicated (see Fig.3). Brown to the live terminal, Blue to the neutral terminal and green/yellow to the earth terminal.
7. Replace the cable clamping bar and tighten the screws until it the cable is securely held in place. Tighten the gland nut and then replace the junction box cover, ensuring that rubber gasket is safely in place.
8. Mount the unit to the wall fixing bracket by replacing the two bolts. Adjust the floodlight to desired angle and tighten the bolts.

