

Care and Maintenance

Cleaning

All exterior surfaces of the light can be wiped clean with a soft cloth dampened with a soap and water solution. Do not immerse or submerge any part of the light in water or any other solvent. Never use solvents or cleaning agents containing petroleum (petrol, kerosene, oil), paint thinner, turpentine, alcohol, or ammonia. Harsh materials like these can damage surfaces.

Maintenance

All repairs should only be carried out by qualified service personnel. Do not open exterior casing of the light, as there are no user serviceable parts inside. Opening or visible attempts to open or repair a light may void any guarantee and/or cause damage to the product or personal injury.



360° LED LIGHT POLE

With Power Take Off

FPP SLLED36U 240 Volt

FPP SLLED36UL 110 Volt

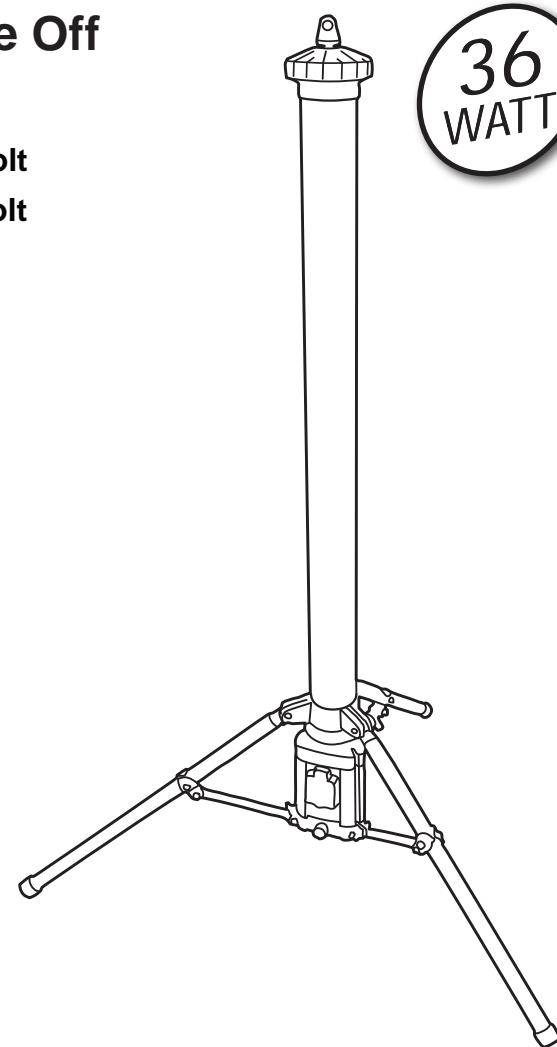
Instruction Manual

IMPORTANT

It is essential that you read the instructions contained in this manual before using the light for the first time.

Failure to follow these instructions could result in damage to the light, property damage or personal injury.

This manual should be stored safely for future reference.



Product Introduction

The 360° LED Light Pole is a portable 36 watt LED lighting unit designed for use on the worksite, in the workshop, garage or home, and is available in either 240v or 110v versions for use in industrial applications.

Specifications

Code	FPP SLLED36U	FPP SLLED36UL
LED type	336 x LED (SMD2835)	336 x LED (SMD2835)
Input voltage	AC 240V ~ 50Hz	AC 110V ~ 50Hz
Rated power	36W	36W
Extended height	1285mm	1285mm
Closed height	1180mm	1180mm
Extended width	850mm	850mm
Extended depth	740mm	740mm
Lumens	3000LM	3000LM
Colour temperature	6400K	6400K
Light angle	360deg	360deg
LED lifetime	50000 hours	50000 hours
N.W.	3.6kg	3.6kg
Waterproof class	IP44	IP44
Maximum power outlet load	3100W	1760W
Maximum lamp linking	30	20

General Safety Rules

1. Always check that the voltage displayed on the nameplate is the same as the mains power source.
2. Never use an electrical appliance in the rain, in wet areas or with wet hands, using electrical appliance under these conditions greatly increases the possibility of electric shock.
3. Prior to operation, carefully inspect the light for any damage. Any part that is damaged, including the casing, cable or plug, should be properly and safely repaired or replaced by a qualified electrician before the light is used.
4. Please ensure that you read these instructions before using the LED Light Pole, and that all the safety guidelines are understood. Please keep these instructions for future reference.
5. Ensure the cable is positioned to avoid presenting a trip hazard.
6. Do not exceed the rated power loading for each type of lamp.

Please note: When using a 240v electrical appliance (particularly outdoors), we recommend the use of a residual current device (RCD) such as the Faithfull model, product code **FPP RCD**, or a power circuit breaker, for enhanced protection.

Instructions for use

Parts included

- 1) Threaded round hole strap retaining clip
- 2) Adjustable nylon carrying strap

Setting up

The LED Light Pole is supplied with a removable adjustable carrying strap. Screw the strap retaining clip in to the threaded inset in the head of the lamp. The carry strap can then be clipped through the locating hole in the clip and then attached to the fixed clip on the base of the lamp.

The tripod stand fitted to the Light Pole is fully adjustable and allows the legs to be deployed to the required position and locked in place. To adjust the tripod slacken the thumbscrew on the sliding collar and then apply downward pressure to force the collar down opening the tripod legs. Maximum stability is achieved when the sliding collar is fully down and in contact with the base of the lamp. After use the tripod can be fully retracted by pulling the sliding collar upwards and locked in a closed position for easy transportation.

The LED Light Pole also features a power outlet the can be used to link several lamps together or as convenient power source for use with a power tool. Please note the total load applied should not exceed the following:

FPPSLLED36U 240V

Maximum power outlet load 3100w

FPPSLLED36UL 110V

Maximum power outlet load 1760w.