



500W Wall Mounted Halogen Floodlight

FPP SL500CWM

IMPORTANT SAFETY INSTRUCTIONS

Carefully read and understand all instructions before attempting to assemble or operate this fixture.

GENERAL SAFETY INFORMATION

1. Make sure power conforms to the lamps requirements.
2. Make sure bulb used is the correct wattage. Using bulb of higher than rated wattage can increase risk of fire.
3. Replace or repair damaged cords immediately.
4. Replace or repair damaged or missing lenses immediately.
5. Refer all servicing of electrical parts to a qualified electrician.
6. Protect power cords from coming in contact with sharp objects, chemicals, or hot surfaces.

CAUTION

1. Bulb and fixture become extremely hot during use. Keep away from flammable objects and handle with care. Always unplug the light and let it cool 5 minutes before attempting to touch the fixture.
2. Do not remove the lens when the lamp is on. Turn fixtures off and allow to cool before servicing.
3. Do not direct light at persons or look directly at lighted bulb.

FITTING TUNGSTEN HALOGEN LAMP

Undo top centre screw of main fitting assembly to release front cover. Unpack the tungsten halogen lamp. Make sure protective wrapping remains in place whilst handling. This is to ensure finger contact is not made with the lamp glass, as this will cause the lamp to malfunction.

Carefully take hold of the lamp making sure protective wrapping is still in place.

Place one end of lamp into one side of lamp holder, pushing lightly to one side of lamp holder. Make sure both ends of the lamp are making correct contact with lamp holders, remove protective wrapping and refit front cover making sure glass seal is in place.

DO NOT ATTEMPT TO REPLACE A FAULTY OR BURNT OUT LAMP WHILST FITTING IS HOT.

**REPLACEMENT TUBE 240V FPP SLT500W2
CLASS C 240V FPP SLT500WC**

IMPORTANT

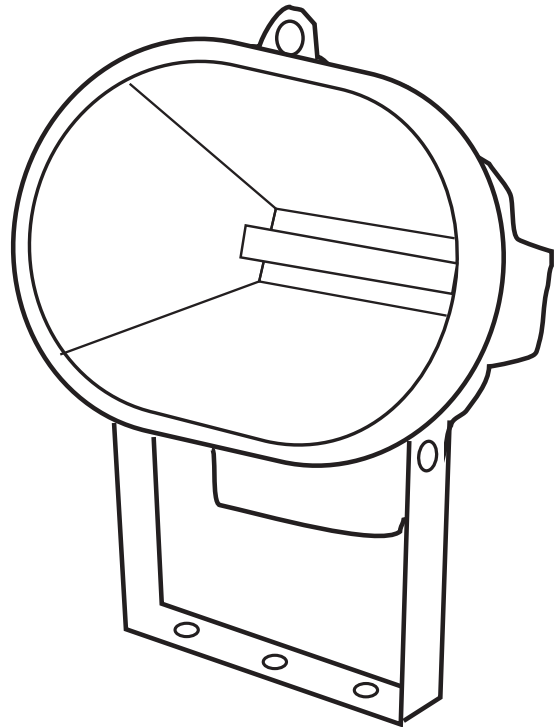
WHEN IN OPERATION THIS FITTING IS EXTREMELY HOT. DO NOT TOUCH THE FITTING ITSELF UNTIL IT HAS COOLED DOWN. DO NOT FULLY IMMERSE THIS FITTING IN WATER.

ASSEMBLY INSTRUCTIONS

This unit is supplied complete with a wall mounting bracket, and is designed to be operated from an internal light switch.

Care should be taken to ensure this unit is not installed close to any material which would be damaged by heat. ie plastic guttering or wooden fascia boards)

Installation should be carried out by a qualified electrician in accordance with all current regulations.



ENVIRONMENTAL PROTECTION



Waste electrical products should not be thrown away with household waste. Please recycle where facilities exist. Check with your local authority or retailer for recycling advice.



The Faithfull Tools Catalogue features approximately 2,600 products. Ask your local Faithfull stockist for a copy or write to the address below.

FAITHFULL TOOLS, Long Reach, Galleon Boulevard,
Crossways Business Park, Dartford, Kent, DA2 6QE

E-mail: enquiries@faithfulltools.com www.fairhfulltools.com