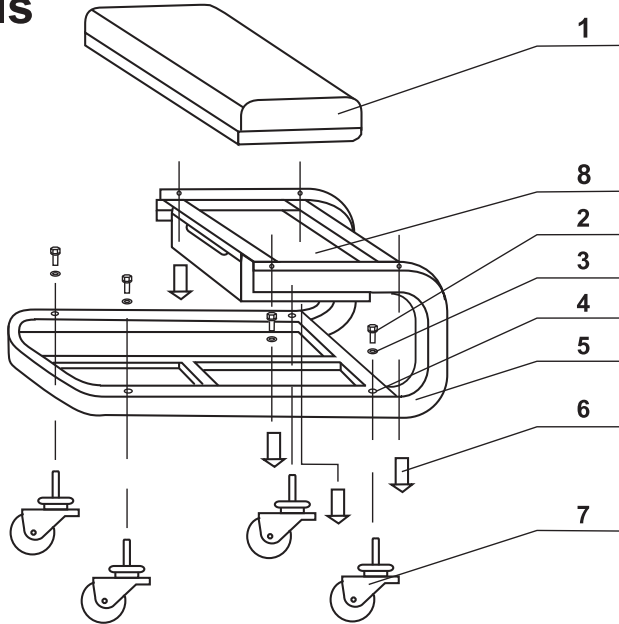


Steel Seat

On Wheels



Item N°.	Description	QTY
1	Seat	1
2	Nut for Wheel	4
3	Washer	4
4	Plastic Tray	1
5	Steel Unit	1
6	Screw for Seat	4
7	Castor Wheel	4
8	Drawer	1

Overall size: 365 x 360 x 400mm

IMPORTANT: NO LIABILITY IS ACCEPTED FOR THE INCORRECT USE OF PRODUCT.

FAITHFULL TOOLS

Phoenix House,
3 White Lodge Business Estate,
Hall Road, Norwich, Norfolk,
NR4 6DG, United Kingdom

E-mail: enquiries@faithfulltools.com

