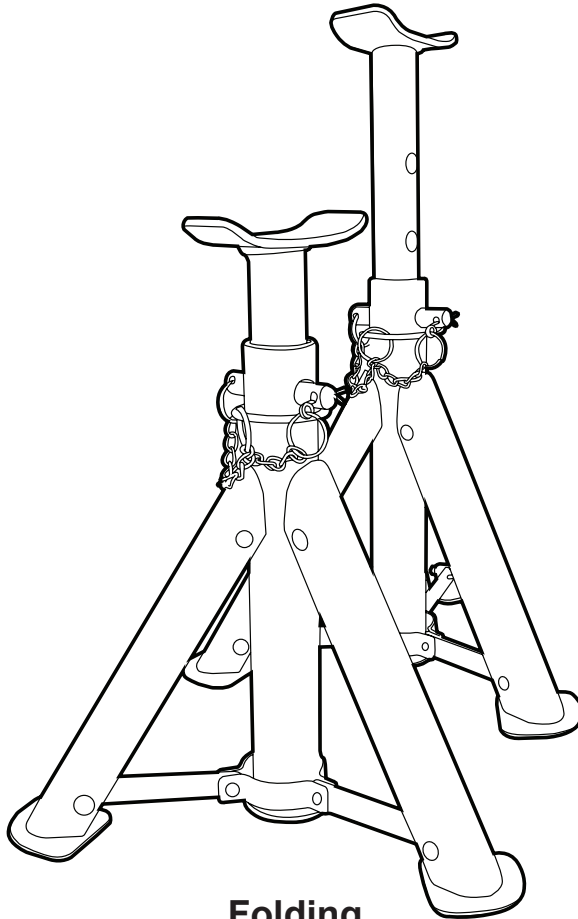


FAITHFULL[®]
QUALITY TOOLS

FAI AUAXLE2



Folding
Axle Stands
2 Tonne

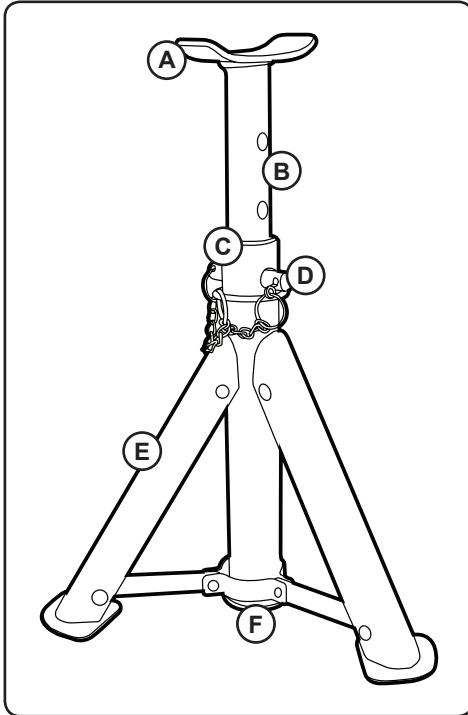


IMPORTANT

It is essential that you read the instructions contained in this manual before using the axle stands for the first time. Failure to follow these instructions could result in damage to the product, property damage or personal injury. This manual should be stored safely for future reference.

Folding Axle Stands

Manufactured from high quality carbon steel, these stands feature space saving folding legs for easy storage, large feet to help spread the load and a pin and chain adjustment and locking system.



- A:** Saddle
- B:** Centre Column
- C:** Centre Tube
- D:** Locking Pin
- E:** Folding Legs
- F:** Folding Mechanism

Specifications

| | |
|-----------------|-------------|
| Capacity: | 2,000kg |
| Minimum Height: | 277mm |
| Maximum Height: | 365mm |
| Base Dimension: | 250 x 250mm |



Before Use

Check that the stands are in good order and condition and that no damage has been sustained during transit. Familiarise yourself with the folding mechanism and the folding legs.

Insert the centre column in the centre tube, adjust to height required and insert the locking pin. When lowering the centre column, hold the centre column firmly before removing the pin. Failure to do so will allow the centre column to free fall through the centre which may be dangerous.

Maintenance & Inspection

Visual inspection should be made before each use of the stands, checking for cracks, cracked welds and missing and / or damaged parts. Any stand that appears to be damaged in any way must be removed from service immediately.

Because of the potential hazards associated with the misuse of equipment of this type, no modifications should be made to the product. Attempting to modify this product may void the manufacturers warranty.

Operation

1. Ensure the maximum load does not exceed rated capacity.
2. Refer to vehicle owners hand book for correct jacking procedure. Check to ensure that the jacking points are in suitable condition.
3. Ensure the vehicles brakes are on and wheels are chocked. Vehicles with automatic gear boxes must have the gear lever in the 'Parked' position.
4. Ensure the stand legs are fully extended and adjust the height of the stand to correspond with the raised vehicle.
5. Check that the locking pin is correctly pushed all the way through the centre column and out of the other side.
6. Carefully and slowly lower the load onto the stand. Ensure the load bearing points sit in the centre of the stand saddle and check that the stands are stable and not leaning.
7. After use, hold the centre column firmly when removing the locking pin. Failure to do so will allow the centre column to fall freely through the main centre tube which could be dangerous.

Safety Precautions

- Ensure axle stands are in good condition. DO NOT use if damaged.
- Ensure you familiarize yourself with the product and its folding mechanism.
- Ensure the locking pin is in place before operation.
- Vehicles with automatic gear boxes must have the gear lever in the 'Parked' position before operation.
- When raising the stands centre column to engage load, ensure the dead centre of the stands saddle is located under the vehicles jacking point.

DANGER! Great care must be taken to ensure you lower the vehicle load slowly and carefully onto the stands.

- Do not use on soft ground or tarmac. Use only on concrete.
 - Do not use a single stand. Use only in pairs.
 - Do not overload axle stands beyond rated capacity.
 - Do not use four stands on one vehicle.
 - Do not jack up the end of the vehicle if the other end is already on stands.
 - Do not use on three wheeled vehicles or trailers. Refer to makers instructions.
-

Other products available in this range:



| | | |
|-----------------------|----------------------------------|-------------------------|
| FAI AUCREEP | Folding Car Creeper | |
| FAI AUSEAT | Steel Seat on Wheels | |
| FAI AUJACBOT2 | Bottle Jack | 2 Ton - 2000kg |
| FAI AUJACBOT4 | Bottle Jack | 4 Ton - 4000kg |
| FAI AUJACBOT6 | Bottle Jack | 6 Ton - 6000kg |
| FAI AUCABLE2 | Cable Puller | 2 Ton - 2000kg |
| FAI AUCABLE4 | Cable Puller | 4 Ton - 4000kg |
| FAI AUAXLE2 | 2x Folding Axle Stands | 2 Ton - 2000kg |
| FAI AUAXLE3 | 2x Heavy-Duty Axle Stands | 3 Ton - 3000kg |
| FAI AUAXLE6 | 2x Heavy-Duty Axle Stands | 6 Ton - 6000kg |
| FAI AUJACTRO15 | Trolley Jack | 1.5 Ton - 1500kg |
| FAI AUJACTRO3 | Trolley Jack | 2.5 Ton - 2500kg |

FAITHFULL TOOLS

Phoenix House,
3 White Lodge Business Estate,
Hall Road, Norwich, Norfolk,
NR4 6DG, United Kingdom

E-mail: enquiries@faithfulltools.com