

FAITHFULL[®]
QUALITY TOOLS

Instruction Manual



Rechargeable
LED Work Light
30 Watt

IMPORTANT

It is essential that you read the instructions contained in this manual before using the light for the first time. Failure to follow these instructions could result in damage to the light, property damage or personal injury. This manual should be stored safely for future reference.

Care and Maintenance

Storage

Store the Work Light and charging adapters in a clean, dry area. Keep supplied charging adapters stored separately from similar items, as only charging adapters included with this light are compatible. Using non-compatible chargers could cause damage or personal injury.

If kept in a vehicle, it is recommended that the battery be recharged periodically and ensure that the Work Light is properly secured and in a safe place. The Work Light may also be stored in case of roadside emergencies.

Cleaning

All exterior surfaces of the Work Light can be wiped clean with a soft cloth dampened with a soap and water solution. Do not immerse or submerge in water or any other solvent. Never use solvent or petroleum based cleaning agents.

Maintenance

All repairs should only be carried out by qualified service personnel. Do not open exterior casing of the Work Light, as there are no user serviceable parts inside. This may also void any guarantee and/or cause damage to the product or personal injury.



Never attempt to open the battery pack. Under abusive conditions liquid may be ejected from the battery. If accidental contact occurs flush the affected area with water. If the liquid comes into contact with the eyes flush with water and seek medical help. Liquid ejected from batteries may cause irritation or burns.



This product contains an internal Li-ion battery pack formulated from environmentally sensitive materials.

This product must be disposed of properly with due care for the environment. Please return this product to your local dealer or to your local recycling station where batteries will be recycled or disposed of properly.



Never attempt to incinerate batteries as they may leak or explode.

General Safety Precautions

- Store in a dry location and do not allow the charging adapters to come into contact with water, rain or snow.
- If the charging adapter comes into contact with water, place in a dry location at room temperature, on a soft absorbent towel and allow to dry thoroughly before use.
- If an adaptor becomes submerged in water, discontinue its use immediately and contact your local Faithfull retailer for a replacement charger unit.
- Do not store charging adapters where temperatures may exceed 112°F (50°C).
- Do not use an adaptor or charging cable if there is any sign of damage, these are not user serviceable parts and should not be replaced.
- Do not attempt to charge this light with a charge other than a USB specification product. This could result in a fire, damage to product or personal injury.
- Do not charge the unit if left unattended.

USB Power Bank

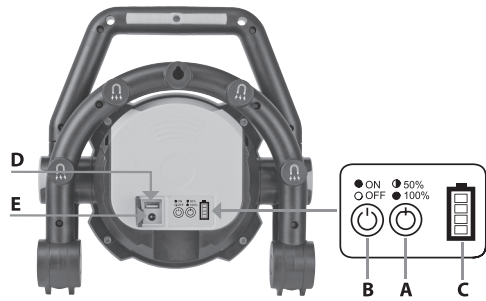
The battery in this product also functions as a 'Power Bank' using the USB socket (D). Most small electronic devices such as mobile phones, MP3 players or tablets are now supplied with USB charging leads which can be connected to the lamps USB output and used to recharge the device. Always use the USB lead supplied by the manufacturer of your device to ensure compatibility with your product.

Some manufacturers incorporate authentications chips in their products to prevent the use of third party chargers and this may prevent the use of the Power Bank function on this product. Faithfull cannot be held responsible for any damage caused to any device that is charged using the Power Bank function.

To begin outbound charging, first plug the USB end of the cable into the port and then plug the other end into your device. **Do not charge outer device while operating the light.**

The Faithfull LED Worklight

Developed and designed primarily for tradesmen to use on the work site or inside where there may be poor lighting, or no lighting at all. It is perfect for use in and around the home and garage, providing a safe and portable source of light for use just where and when you need it.



Controls

By pressing button (B) the lamp will turn on. Button (A) will then control the brightness, which can be set to either 100% or 50%. When selecting 50%, the service life of the lamp extends in comparison to the 100% setting, as it consumes less energy. Press the (B) button again to turn off.

Power Switch

The power switch (A) has two settings:
100% - 3000 Lumens (3 hour running time)
50% - 1500 Lumens (6 hour running time)

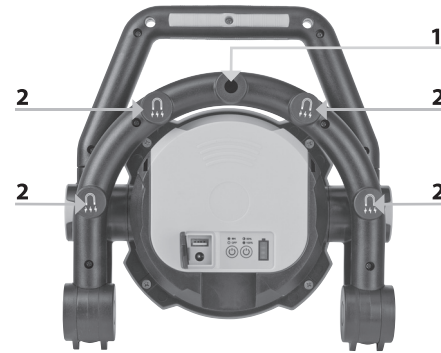
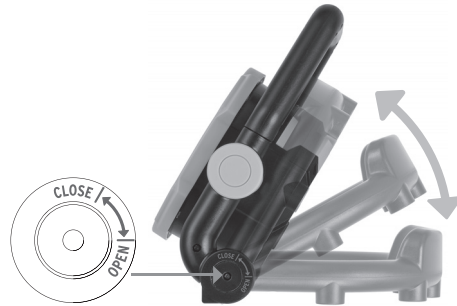
The protective cover keeps the ports and indicator safe from any damaging elements. To open, gently lift outward from the right. Keep this unit away from water when the protective cover is in the open position.

Specifications

LED power:	30 Watt
Brightness:	3000 / 1500 Lumens
Beam angle:	105°
Colour temp:	6500K
IP rating:	IP54*
Type:	COB
Battery:	Lithium-ion 7.4V 5000mAh
Charge time:	3.5 hours approx.
Run time:	3 / 6 hours (100% / 50%)
Power bank output:	USB 5V 1A



*Only if battery pack is installed correctly



Operating

The battery-operated lamp can be unfolded to several settings. Do not force the lamp further open as this may damage the mechanism. The lamp can be hung up on a hook on the frame using the mounting opening (1) or on a metal surface using the magnetic base (2). Ensure that the surface is stable in order to avoid damage to the product or injuries to persons.

Running Times

The operating times of this Work Light may vary depending on the working conditions and the amount of charge in the battery at the time of use. The running time for this light when fully charged is approximately 3 hours on the brightest setting, and 6 hours on the lowest setting. To achieve the best performance always switch the light off when the battery power begins to run low, and recharge immediately.

Charging the LED Worklight

The LED Worklight must be fully charged before being used for the first time. This will ensure that the battery gives its best performance now and on future re-charging cycles. If work light is used for a long time, apply one hour charging every three months.

Battery Status Display (C):

Displays the current charging status of the battery, or how much charge is still available. If all 4 LEDs are lit, the battery is fully charged. If the battery is nearly empty, the LED blinks 5 times and the battery status indicator blinks continuously. The lamp will remain lit for approximately 5-10 minutes before the deep discharge protection shuts the lamp off. This provides sufficient time to replace the battery or stop working.

Charging Devices:

Suitable for products with a charging current of 1000 mA max. To charge the depleted unit, connect a USB charging cable to the USB charging port (D) under the cover on the battery. After charging, put cover back on.

Charging the Battery:

- To ensure optimum functionality, completely discharge the battery during initial use and then fully charge it.
- The charging socket (E) is under the cover of the battery.
- The lamp can be operated while charging, however it is not possible to use the USB output while charging the battery. In order to charge the battery, the lamp is only operated with reduced illuminance while charging.
- The battery can also be charged separately from the lamp.
- After charging, ensure the charging port is closed with the cap fully on, to prevent ingress of dirt and moisture.

Safety Precautions AC:

- Use 240V AC charging adaptor in a dry location only.
- Exposure to damp or wet conditions may cause electrocution or damage to adapter.
- Do not use the charger in the vicinity of flammable liquids or materials.
- Do not use the charging adapter in combination with electrical generators or transformers.
- Always plug the adapter directly into a 240V outlet in a suitable location.



Changing the Battery:

The battery can be easily and quickly replaced. Press the lock (F) forward and then slide the battery up and out (see above diagram). It is therefore possible to charge on battery and continue working with a separately available replacement battery.

A spare battery and charger are also available.
FAISLTL30WRC - Spare Charger
FAISLTL30WRB - Spare Battery