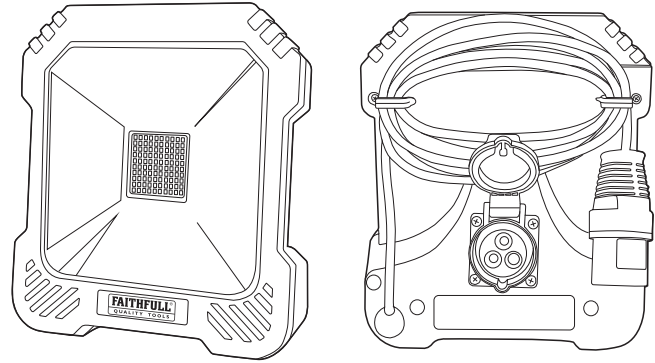


# LED Task Light

20 Watt 110V



## Instructions for use

### 1. Product Application

A portable lighting unit for use around the home and workplace.

### 2. Task light details

Input voltage: AC 100-130V / 50-60Hz  
Input power: 310mA  
Power factor: 0.65  
Waterproof class: IP54  
Fitted with an approved 110v plug  
Cable 3M x 0.75mm<sup>2</sup>

### Socket

16 amp socket  
6.25 amp current (Max 1000W)  
Maximum link 15 lights  
Maximum total load applied to the socket should not exceed 1000W

### 3. General Safety Rules

Always check that the voltage displayed on the nameplate is the same as the mains power source.

Never use an electrical appliance in the rain, in wet areas or with wet hands, using electrical appliance under these conditions greatly increases the possibility of electric shock.

Prior to operation, carefully inspect the light for abnormalities and damage. Any part that is damaged, including the casing, cable or plug, should be properly and safely repaired or replaced by a qualified electrician before the Task Light is used.

**Please ensure that you read these instructions before using the Task Light, and that all the safety guidelines are understood.**

**Please keep these instructions for future reference.**

#### FAITHFULL TOOLS

Phoenix House, 3 White Lodge Business Estate,  
Hall Road, Norwich, Norfolk, NR4 6DG, United Kingdom.  
E-mail: [enquiries@faithfulltools.com](mailto:enquiries@faithfulltools.com)