

USB Power Bank

The battery in this product also functions as a 'Power Bank' using the USB socket (D). Most small electronic devices such as mobile phones, MP3 players or tablets are now supplied with USB charging leads which can be connected to the lamps USB output and used to recharge the device. Always use the USB lead supplied by the manufacturer of your device to ensure compatibility with your product.

Some manufacturers incorporate authentications chips in their products to prevent the use of third party chargers and this may prevent the use of the Power Bank function on this product. Faithfull cannot be held responsible for any damage caused to any device that is charged using the Power Bank function.

To begin outbound charging, first plug the USB end of the cable into the port and then plug the other end into your device. **Do not charge outer device while operating the light.**

General Safety Precautions

- Store in a dry location and do not allow the charging adapters to come into contact with water, rain or snow.
- If the charging adapter comes into contact with water, place in a dry location at room temperature, on a soft absorbent towel and allow to dry thoroughly before use.
- If an adaptor becomes submerged in water, discontinue its use immediately and contact your local Faithfull retailer for a replacement charger unit.
- Do not store charging adapters where temperatures may exceed 112°F (50°C).
- Do not use an adaptor or charging cable if there is any sign of damage, these are not user serviceable parts and should not be replaced.
- Do not attempt to charge this light with a charge other than a USB specification product. This could result in a fire, damage to product or personal injury.
- Do not charge the unit if left unattended.

Care and Maintenance

Storage

Store the Work Light and charging adapters in a clean, dry area. Keep supplied charging adapters stored separately from similar items, as only charging adapters included with this light are compatible. Using non-compatible chargers could cause damage or personal injury.

If kept in a vehicle, it is recommended that the battery be recharged periodically and ensure that the Work Light is properly secured and in a safe place. The Work Light may also be stored in case of roadside emergencies.

Cleaning

All exterior surfaces of the Work Light can be wiped clean with a soft cloth dampened with a soap and water solution. Do not immerse or submerge in water or any other solvent. Never use solvent or petroleum based cleaning agents.

Maintenance

All repairs should only be carried out by qualified service personnel. Do not open exterior casing of the Work Light, as there are no user serviceable parts inside. This may also void any guarantee and/or cause damage to the product or personal injury.



Never attempt to open the battery pack. Under abusive conditions liquid may be ejected from the battery. If accidental contact occurs flush the affected area with water. If the liquid comes into contact with the eyes flush with water and seek medical help. Liquid ejected from batteries may cause irritation or burns.



This product contains an internal Li-ion battery pack formulated from environmentally sensitive materials.



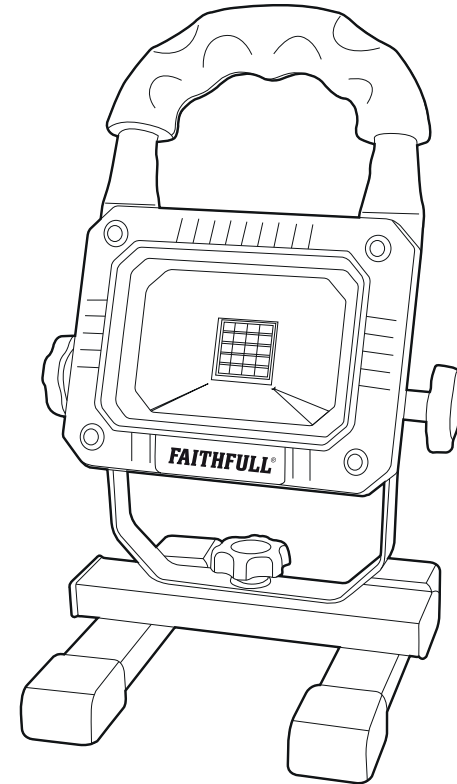
This product must be disposed of properly with due care for the environment. Please return this product to your local dealer or to your local recycling station where batteries will be recycled or disposed of properly.



Never attempt to incinerate batteries as they may leak or explode.

FAITHFULL®
QUALITY TOOLS

Instruction Manual



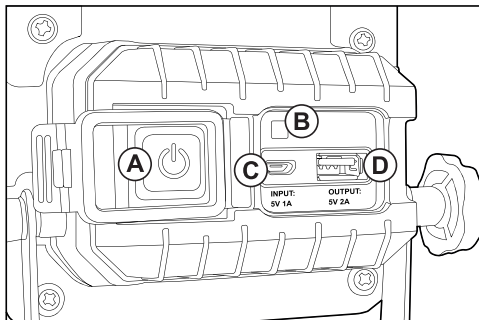
Rechargeable
LED Work Light
10 Watt

IMPORTANT

It is essential that you read the instructions contained in this manual before using the light for the first time. Failure to follow these instructions could result in damage to the light, property damage or personal injury. This manual should be stored safely for future reference.

The Faithfull LED Worklight

Developed and designed primarily for tradesmen to use on the work site or inside where there may be poor lighting, or no lighting at all. It is perfect for use in and around the home and garage, providing a safe and portable source of light for use just where and when you need it.



- A:** ON / OFF Switch
- B:** Battery indicator lamp
- C:** Mini USB charging socket
- D:** USB output socket (Charging devices)

230v AC/DC Wall Charger*:

Model: K05S050100B
Input: 100-240V 50/60HZ
Output: 5V DC 1A

12v DC Car Charger*:

Input: 12-24V DC
Output: 5V DC 1A

*Chargers may vary from that shown

Specifications

LED power:	10 Watt
Brightness:	900 / 450 / 225 Lumens
Beam angle:	120°
Colour temp:	6500K
IP rating:	IP65
Type:	SMD
Battery:	Lithium-ion 3.7V 4400mAh
Charge time:	5-6 hours
Run time:	3 / 6 / 12 Hours
Power bank output:	USB 5V 2A



Work Light Assembly

1. The work light should be used with the included stand alone base.
2. To attach the base, remove the mounting bolt and place the light on top, aligning the hole in the mounting bracket to the hole in the base and replace the bolt by finger tightening securely. No tools required.
3. Adjust the angle of the light by grasping the padded handle and tilting the face of the Work Light up and down or swivelling right to left.

Power Switch

The power switch (A) has four settings:
High - 900 lumens
Mid - 450 lumens
Low - 225 lumens
Off

The switch will cycle as follows:
High-Off-Mid-Off-Low-Off

The protective cover keeps the ports and indicator safe from any damaging elements. To open, gently lift outward from the right. Keep this unit away from water when the protective cover is in the open position.

Magnetic Base

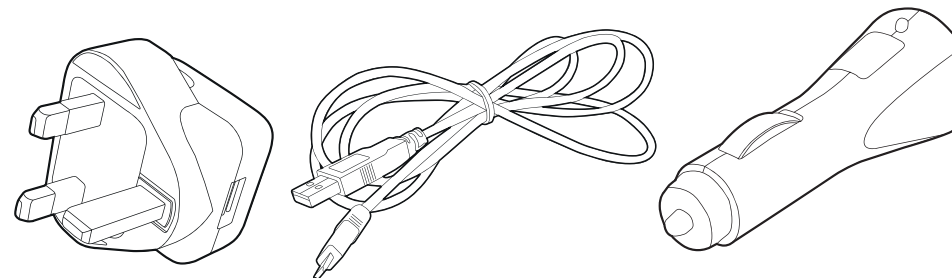
The magnetic base allows the Work Light to be attached to metal surfaces.

Running Times

The operating times of this Work Light may vary depending on the working conditions and the amount of charge in the battery at the time of use. The running time for this light when fully charged is approximately 3 hours on the brightest setting, 6 hours on medium or 12 hours on the lowest setting. To achieve the best performance always switch the light off when the battery power begins to run low, and recharge immediately.

Charging the LED Worklight

The LED Worklight must be fully charged before being used for the first time. This will ensure that the battery gives its best performance now and on future re-charging cycles. The AC and DC charging adapters are for re-charging the battery only. Charge one hour after each use. If work light is used for a long time, apply one hour charging every three months.



Using the AC Charging Adapter

1. Plug the charging cables micro USB plug into the charging socket (C) of the Work Light, located under the plastic cover. Connect the other side of the charging cable into the charging adapter.
2. Plug the adapter into a 240V socket and switch the socket on (if applicable).
3. The charging indicator lamp (B) on the back panel of the lamp will flash green while charging is in progress. It will turn to steady green when fully charged.
4. The battery will be fully charged after approximately 5-6 hours. Disconnect the power plug from the Work Light, remove the adapter from the wall socket or switch off.

Safety Precautions AC

- Use 240V AC charging adaptor indoors in a dry location only.
- Exposure to damp or wet conditions may cause electrocution or damage to adapter.
- Do not use the charger in the vicinity of flammable liquids or materials.
- Do not use the charging adapter in combination with electrical generators or transformers.
- Always plug the adapter directly into a 240V outlet in a suitable location.

Using the DC Charging Adapter

1. Plug the charging cables micro USB plug into the charging socket (C) of the Work Light, located under the plastic cover. Connect the other side of the charging cable into the charging adapter.
2. Plug the adapter into the vehicles 12V DC cigarette lighter or accessory power socket.
3. The charging indicator lamp (B) on the back panel of the lamp will flash green while charging is in progress. It will turn to steady green when fully charged.
4. The battery will be fully charged after approximately 5-6 hours. Disconnect the jack plug from the Work Light and remove the adapter from the 12V power socket.

Safety Precautions DC

- The DC charging adapter can be used in vehicles by plugging into the 12V DC cigarette lighter or accessory power socket.
- Consult your vehicles owner's manual for further information on operating 12V DC accessories.
- Do not drive the vehicle while charging as an unsecured light may be a hazard during certain driving manoeuvres.
- Do not attempt to charge the light with an adapter that is not compatible as this could result in a fire, damage to the torch or personal injury.