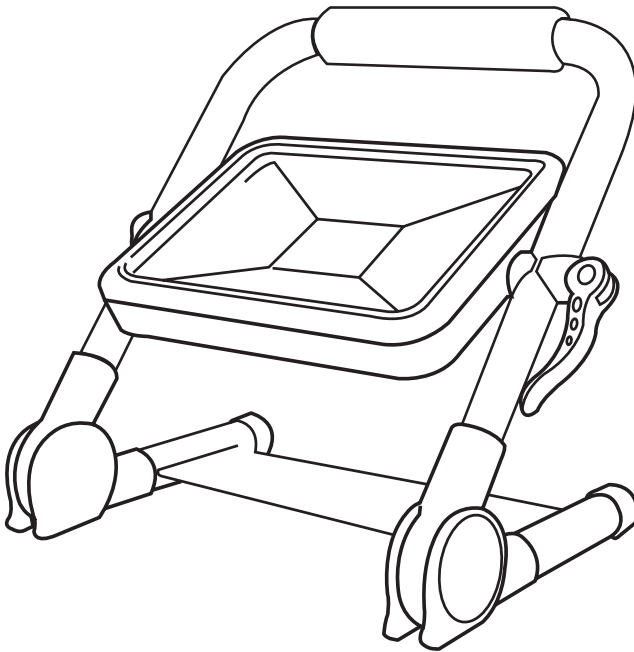


**FAITHFULL<sup>®</sup>**  
QUALITY TOOLS

# Instruction Manual



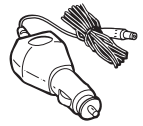
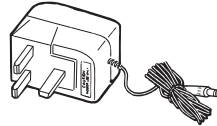
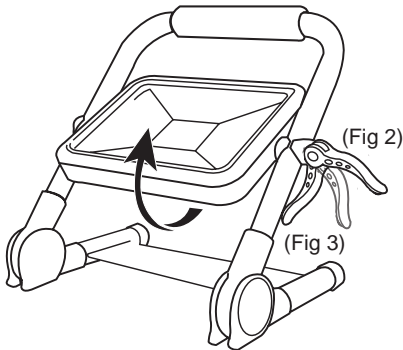
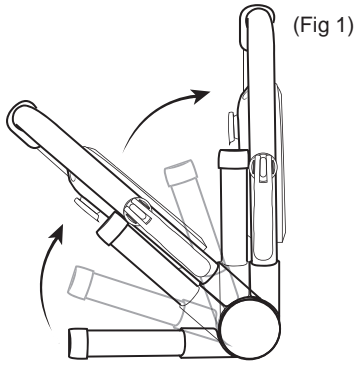
Rechargeable  
**LED Work Light**  
20Watt

**IMPORTANT**

It is essential that you read the instructions contained in this manual before using the light for the first time. Failure to follow these instructions could result in damage to the light, property damage or personal injury. This manual should be stored safely for future reference.

# The Faithfull LED Work Light

Your new rechargeable, LED Work Light is perfect for use in and around the home and garage, providing a safe and portable source of light for use just where and when you need it. Great for use during power failures, while camping, fishing or working on the car and many other uses including roadside emergencies. Folds flat for easy storage and transport.



230v AC/DC Wall Charger\*:

Model: YS 16-0902000

Input: 100-240V 50/60HZ

Output: 9V DC 2A

12v DC Car Charger\*:

Input: 12-24V DC

Output: 9VDC 1A

## Setting up the Work Light stand

The Work Light has a ratcheting leg stand system that allows the lamp to be folded flat for storage and opened out for use.

(Fig1) From the folded flat position hold the top handle in one hand and one of the stand legs in the other and gently pull apart, the lamp will then open out and can be set in one of the four pre-set positions.

## Adjusting the lamp angle

The lamp head angle can be quickly adjusted using the cam lock lever, lift the lever into the horizontal position (Fig2) to release the lamp head and move to the required position and then push the cam level back down (Fig3) to lock the lamp head in the desired position. (Fig2) Open position (Fig3) Locked position.

## Work Light Operation

To switch on: Press the Yellow ON/OFF button.  
To change mode: Press the Yellow mode switch to cycle through the four modes: 100%, 50%, 25% and flashing

## Running Times

The operating times of this Work Light may vary depending on the working conditions and the amount of charge in the battery at the time of use. The approximate running times for this Work Light when fully charged are as follows

100% - 2.5hours  
50% - 3.5hours  
25% - 7 hours  
Flashing - 4 hours

## Battery warning indicator:

The charging indicator lamp will flash Red when the batteries level of charge has become low, indicating that the Work Light should be recharged.

## Specifications

LED power:	20 Watt
Brightness:	1800 Lumens
Beam angle:	120°
Colour temp:	6500K
IP rating:	IP44
Type:	SMD
Battery:	Lithium-ion 7.4V 5200mAh
Charge time:	3 hours
Run time:	100% - 2.5 hours 50% - 3.5 hours 25% - 7 hours Flashing - 4 hours



## Charging the LED Work Light

The LED Work Light must be fully charged before being used for the first time. This will ensure that the battery gives its best performance now and on future re-charging cycles. The AC and DC charging adapters are for re-charging the battery only.

---

### USB power outlet

The Work Lights USB power outlet allows the user to recharge many portable electronic devices such as MP3 players or mobile phones, a compatible lead with USB 'A' type end that has been supplied with the device will be required. The devices should be connected to the USB outlet for charging to commence, the amount of charge available will be determined by the state of charge of the Work Lights internal battery.

---

### Using the AC Charging Adapter

- 1) Plug the charging cables jack plug into the recharge socket of the Work Light located under the black rubber cover.
- 2) Plug the adapter into a 240V socket and switch the socket on (if applicable).
- 3) The charging indicator lamp on the back panel of the lamp will glow RED while charging is in progress and then GREEN when fully charged.
- 4) The battery will be fully charged after approximately 3 hours, Disconnect the jack plug from the Work Light, remove the adapter from the wall socket or switch off.

### Safety Precautions

- Use 240V AC charging adapter indoors in a dry location only. Exposure to damp or wet conditions could cause electrocution or damage to adapter. Do not use the charger in the vicinity of flammable liquids or materials.
- Do not use the charging adapter in combination with any extension cord, electrical generators, or step-up transformers.
- Always plug the adapter directly into a 240V outlet in a suitable location.
- Store in dry location and do not allow the charging adapter to come in contact with water, rain or snow. If the charging adapter comes into contact with water, place in a dry location at room temperature, on a soft absorbent towel and allow to dry thoroughly.
- Do not operate the unit until it is completely free of moisture.
- If the adaptor becomes submerged in water, discontinue use immediately and contact your local Faithfull retailer for a replacement charger unit.
- Do not store charging adapter where temperatures may exceed 122°F (50°C).
- Use only the AC charging adapter supplied with the light. Do not attempt to charge the light with an adapter that is not compatible as this could result in a fire, damage to the light or personal injury.

### Using the DC Charging Adapter

- 1) Plug the charging cables jack plug into the recharge socket of the Work Light located under the black rubber cover.
- 2) Plug the adapter into the vehicles 12V DC cigarette lighter or accessory power socket.
- 3) The charging indicator lamp will glow RED while charging is in progress and then turn green when fully charged.
- 4) Disconnect the jack plug from the light, and remove the DC adapter from the outlet socket.
- 5) The battery will be fully charged after approximately 3 hours, Disconnect the jack plug from the Work Light, remove the DC adapter from the outlet socket.

To prevent overheating do not charge for more than 9 hours.

### Safety Precautions

- The DC charging adapter can be used in most vehicles by plugging into the 12V DC cigarette lighter or accessory power socket.
- Consult your vehicle owner's manual for further information on operating 12V DC accessories. Do not drive the vehicle while charging, as an unsecured light may be a hazard during certain driving manoeuvres.
- Store in dry location and do not allow the charging adapter to come in contact with water, rain or snow. If the charging adapter comes into contact with water, place in a dry location at room temperature, on a soft absorbent towel and allow to dry thoroughly. Do not operate the unit until it is completely free of moisture.
- If the adaptor becomes submerged in water, discontinue use immediately and contact your local Faithfull retailer for a replacement charging adapter.
- Do not store charging adapter where temperatures may exceed 122°F (50°C).
- Use only the DC charging adapter supplied with the light. Do not attempt to charge the light with an adapter that is not compatible as this could result in a fire, damage to the torch or personal injury.

## Care and Maintenance

### Storage

Store the Work Light and charging adaptors in a clean and dry area. Be sure to keep the charging adaptors supplied with this product stored separately from similar items as only charging adaptors included with this light are compatible. Using a non-compatible charger could cause damage to the Work Light. or personal injury.

The Work Light may also be stored in a vehicle for use in roadside emergencies. If kept in a vehicle, it is recommended that battery be re-charged periodically to ensure maximum performance in an emergency. To prevent the light and any of the accessories being damaged, please ensure that it is properly secure and in a safe place inside the vehicle.

### Cleaning

All exterior surfaces of the Work Light can be wiped clean with a soft cloth dampened with a soap and water solution. Do not immerse or submerge any part of the light in water or any other solvent. Never use solvents or cleaning agents containing petroleum (petrol, kerosene, oil), paint thinner, turpentine, alcohol, or ammonia. Harsh materials like these can damage surfaces.

\*Chargers may differ in appearance to the illustrations in this manual.

### Maintenance

All repairs should only be carried out by qualified service personnel. Do not open exterior casing of the Work Light, as there are no user serviceable parts inside. Opening or visible attempts to open or repair a Work Light may void any guarantee and/or cause damage to the product or personal injury.



Never attempt to open the battery pack, under abusive conditions liquid may be ejected from the battery, if accidental contact occurs flush the affected area with water. If the liquid comes into contact with the eyes flush with water and seek medical help. Liquid ejected from batteries may cause irritation or burns.



This product contains an internal Li-ion battery pack formulated from environmentally sensitive materials. This product must be disposed of properly with due care for the environment. Please return this product to your local dealer or to your local recycling station where batteries will be recycled or disposed of properly.



Never attempt to incinerate batteries as they may leak or explode.

FAITHFULL TOOLS  
Phoenix House,  
3 White Lodge Business Estate,  
Hall Road, Norwich, Norfolk,  
NR4 6DG, United Kingdom.

E-mail: [enquiries@faithfulltools.com](mailto:enquiries@faithfulltools.com)