

## General Safety Precautions

- Store in dry location and do not allow the charging adapters to come in contact with water, rain or snow.
- If a charging adapter comes into contact with water, place in a dry location at room temperature, on a soft absorbent towel and allow to dry thoroughly.
- Do not operate the unit until it is completely free of moisture.
- If an adaptor becomes submerged in water, discontinue its use immediately and contact your local Faithfull retailer for a replacement charger unit.
- Do not store charging adapters where temperatures may exceed 122°F (50°C).
- Do not use an adaptor or charging cable if there is any sign of damage, these are not user serviceable parts and should be replaced.
- Do not attempt to charge this light with a charge other than a USB specification product as this could result in a fire, damage to the light or personal injury.

## Care and Maintenance

### Storage

Store the Work Light and charging adapters in a clean and dry area. This lamp may be recharged using any standard USB 5V 1A charger with a micro USB (B class) plug. Using a non compatible charger could cause damage to the Work Light or personal injury.

The Work Light may also be stored in a vehicle for use in roadside emergencies. If kept in a vehicle, it is recommended that the battery be recharged periodically to ensure maximum performance in an emergency. To prevent the light and any of the accessories being damaged, please ensure that it is properly secured and in a safe place inside the vehicle.

### Cleaning

All exterior surfaces of the Work Light can be wiped clean with a soft cloth dampened with a soap and water solution. Do not immerse or submerge any part of the light in water or any other solvent. Never use solvents or cleaning agents containing petroleum (petrol, kerosene, oil), paint thinner, turpentine, alcohol, or ammonia. Harsh materials like these can damage surfaces.

### Maintenance

All repairs should only be carried out by qualified service personnel. Do not open exterior casing of the Work Light, as there are no user serviceable parts inside. Opening or visible attempts to open or repair a Work Light may void any guarantee and/or cause damage to the product or personal injury.



Never attempt to open the battery pack, under abusive conditions liquid may be ejected from the battery, if accidental contact occurs flush the affected area with water. If the liquid comes into contact with the eyes flush with water and seek medical help. Liquid ejected from batteries may cause irritation or burns.



This product contains an internal Li-ion battery pack formulated from environmentally sensitive materials. This product must be disposed of properly with due care for the environment. Please return this product to your local dealer or to your local recycling station where batteries will be recycled or disposed of properly.



Never attempt to incinerate batteries as they may leak or explode.

### FAITHFULL TOOLS

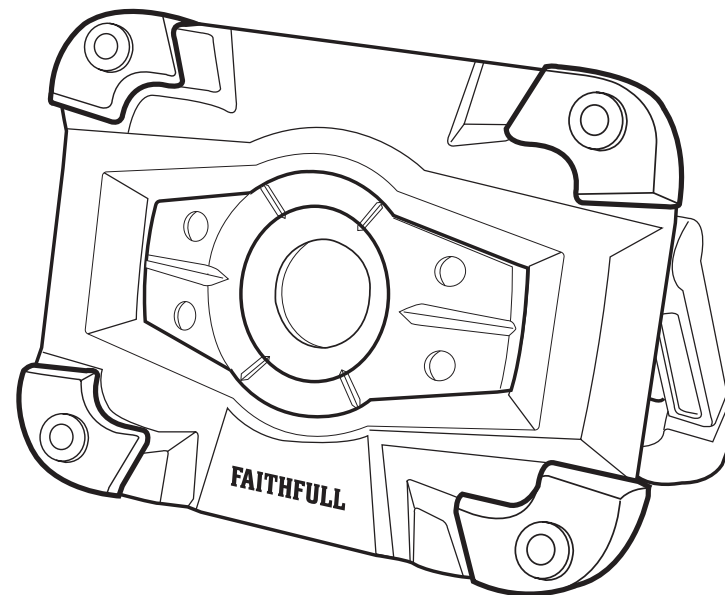
Phoenix House, 3 White Lodge Business Estate,  
Hall Road, Norwich, Norfolk, NR4 6DG, United Kingdom.

E-mail: [enquiries@faithfulltools.com](mailto:enquiries@faithfulltools.com)

[www.fairthfulltools.com](http://www.fairthfulltools.com)



# Rechargeable LED Work Light 10 Watt

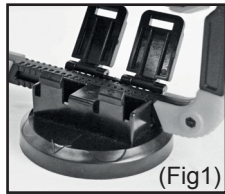
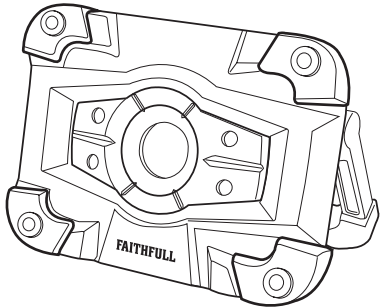


## Instruction Manual

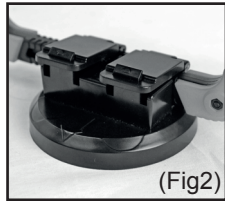
**IMPORTANT: Read these instructions fully before using the Work Light. Retain these instructions for future reference.**

## The Faithfull Rechargeable LED Work Light

An energy efficient and incredibly robust LED Work Light producing 800 lumens of 6500K light. Its compact size and heavy-duty casing makes the unit ideal for most working environments, while its slim profile and fold away handle allows for easy space saving storage.



(Fig1)



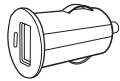
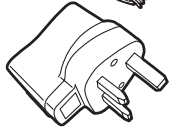
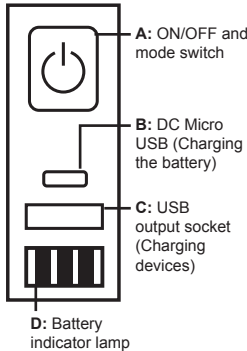
(Fig2)

\*USB to micro USB lead

\*230V AC/DC Mains charger (5V 1A)

\*12V DC USB Car charger (5V 1A)

\*Chargers may vary from that shown.



### Setting up the Work Light

The Work Light has a ratcheting leg stand system that allows the lamp to be folded flat for storage and opened out for use.

### Work Light Operation

To switch on:

Press the red ON/OFF (A) button.

To change mode:

Press the red on button through the two modes: 100%, and 50%

### Magnetic Base Attachment

The magnetic base allows the Work Light to be attached to metal surfaces. Open the clips on the top of the magnetic base then place the handle of the Work Light into the opening (Fig1) then close the clips firmly ensuring they have 'clicked' into place (Fig2).

### Running Times

The operating times of this Work Light may vary depending on the working conditions and the amount of charge in the battery at the time of use. The approximate running times for this Work Light when fully charged are as follows:

100% - 3 hours

50% - 6 hours

### Battery Warning Indicator:

The charging indicator lamp will flash green when the batteries level of charge has become low, indicating that the Work Light should be recharged.

### Safety Warning

When in use the lens will become hot. Take care when touching the lens of the light after prolonged periods of use.



## Charging the LED Work Light

The Work Light must be fully charged before being used for the first time.

This will ensure that the battery gives its best performance now and on future recharging cycles. The AC and DC charging adapters are for recharging the battery only.

### Using the AC Charging Adapter

- 1) Recharge the lamp when the battery indicator lamp (D) shows one green bar flashing.
- 2) Plug the charging cables micro USB plug into the charging socket (B) of the Work Light located under the plastic cover.
- 3) Plug the adapter into a 240V socket and switch the socket on (if applicable).
- 4) The battery indicator lamp (D) will display up to four green bars, which indicates the state of charge of the battery. When charging the battery the indicator lamp will flash and the bars will cycle up until all four bars are a solid green, this indicates that the battery is fully charged.
- 5) The battery will be fully charged after approximately 5 hours or when all four green bars are a solid green and are no longer flashing. Disconnect the USB plug from the Work Light remove the adapter from the wall socket or switch off.

**NB.** This lamp may be recharged using any standard USB 5V 1A charger with a micro USB (B class) plug.

### Safety Precautions AC

- Use 240V AC charging adapter indoors in a dry location only.
- Exposure to damp or wet conditions could cause electrocution or damage to adapter.
- Do not use the charger in the vicinity of flammable liquids or materials.
- Do not use the charging adapter in combination with electrical generators or step-up transformers.
- Always plug the adapter directly into a 240V outlet in a suitable location.

### USB Power Bank

The battery in this product also functions as a 'Power Bank' using the USB output socket (C). Most small electronic devices such as mobile phones, MP3 players or tablets are now supplied with USB charging leads which can be connected to the lamps USB output and used to recharge the device. Always use the USB lead supplied by the manufacturer of your device to ensure compatibility with your product. The amount of charge available will be determined by the state of charge of the Work Lights internal battery.

**NB.** Some manufacturers incorporate authentication chips in their products to prevent the use of third party charges and this may prevent the use of the Power Bank function on this product.

Faithfull cannot be held responsible for any damage caused to any device that is charged using the Power Bank function.

### Using the DC Charging Adapter

- 1) Recharge the lamp when the battery indicator lamp (D) shows one green bar flashing.
- 2) Plug the charging cables micro USB plug into the charging socket (B) of the Work Light located under the plastic cover.
- 3) Plug the adapter into the vehicles 12V DC cigarette lighter or accessory power socket.
- 4) The battery indicator lamp (D) will display up to four green bars, which indicates the state of charge of the battery. When charging the battery the indicator lamp will flash and the bars will cycle up until all four bars are a solid green, this indicates that the battery is fully charged.
- 5) The battery will be fully charged after approximately 5 hours or when all four green bars are a solid green and are no longer flashing. Disconnect the USB plug from the Work Light and remove the adapter from 12V power socket.

### Safety Precautions DC

- The DC charging adapter can be used in vehicles by plugging into the 12V DC cigarette lighter or accessory power socket
- Consult your vehicle owner's manual for further information on operating 12V DC accessories.
- Do not drive the vehicle while charging as an unsecured light may be a hazard during certain driving manoeuvres
- Do not attempt to charge the light with an adapter that is not compatible as this could result in a fire, damage to the torch or personal injury.

## Specifications

LED power:	10 Watt
Brightness:	800 Lumens
Beam angle:	120°
Colour temp:	6500K
IP rating:	IP54
Type:	COB
Battery:	Lithium-ion 3.7V 4400mAh
Charge time:	5 hours
Run time:	100% - 3 hours, 50% - 6 hours