



FAI FLICK

# FLICKER MACHINE

## Wall Coating Sprayer

### ASSEMBLY OF FLICKER PRIOR TO USE

With the comb roller inside the machine insert the plastic bolt (A) through the left hand side nut and into the roller. Insert the handle (C) through the right hand plastic nut (B) and into the roller. Fully tighten bolt (A) and the handle clockwise.

### PRESSURE BAR

To increase the pressure on the blades unscrew the two wing nuts (D) and slide the bar down towards the blades.

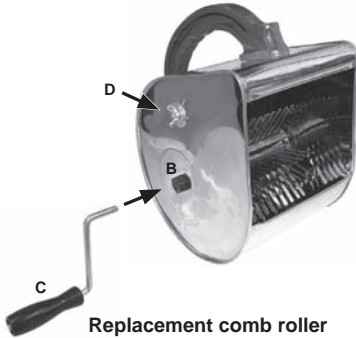
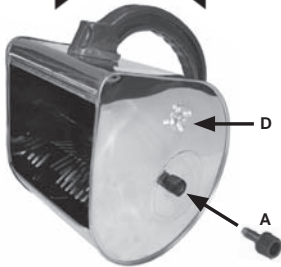
### COMB ROLLER REMOVAL

With the reducer cover removed loosen the wing nuts (D) on either side of the casing and slide the inner pressure bar up and clear of the blades.

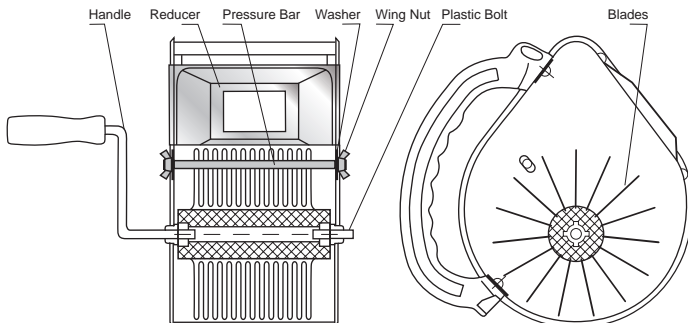
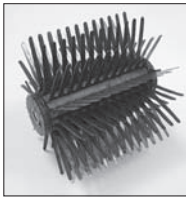
Holding the handle (C) and plastic bolt (A) unscrew the handle and bolt from the comb roller. Withdraw the roller from the machine.

### REDUCER COVER

To fix the reducer cover insert the longer tabbed side first to the top of the unit (1). Push back to locate (2) then slide the reducer down to sit securely in the casing (3).



Replacement comb roller  
Part No. FAI FLICKCOMB



The Faithfull Tools Catalogue features approximately 2,600 products. Ask your local Faithfull Tools stockist for a copy, or contact the address below.

FAITHFULL TOOLS  
Long Reach, Galleon Boulevard,  
Crossways Business Park, Dartford,  
Kent, DA2 6QE, United Kingdom  
E-mail: enquiries@faithfulltools.com  
www.faihflltools.com